

Framed Allwood Construction

1 Front Frame

$\frac{3}{4}$ " thick kiln dried solid hardwood. Pocket screw construction frame joinery reinforced with staples. Stiles and rails $1\frac{1}{2}$ " wide. Mullions 3" wide. Stiles dadoed to receive ends.

2 End Panels

Standard: Nominal $\frac{1}{2}$ " (12mm) thick multi-ply birch veneer plywood with matching laminate exterior surfaces. End panels are inserted into dado in face frame and recessed $\frac{1}{4}$ ".

Upgrade: Nominal $\frac{1}{2}$ " (12mm) thick multi-ply hardwood plywood with maple veneer (stain finishes) or matching laminate (paint and thermofoil finishes) on exterior surface and birch veneer on interior surface. All end panels are constructed with the same dado joinery as above and are recessed $\frac{1}{4}$ ".

3 Top/Bottom Panels

Nominal $\frac{1}{2}$ " (12mm) thick multi-ply hardwood plywood. Tops and bottoms set into grooved end panels and stapled. Bottoms are supported at rear of base cabinets by nominal $\frac{1}{2}$ " (12mm) thick multi-ply hardwood plywood.

4 Hanging Rails

Constructed from nominal $\frac{1}{2}$ " (12mm) thick x $4\frac{1}{4}$ " high multi-ply hardwood plywood. Hanging rails run the full cabinet width at top for all cabinets; wall cabinets receive an additional hanging rail at the bottom. Hanging rails are captured between end panels and are recessed behind the back panel for wall cabinets and in front of back panels for base, vanity and tall cabinets.

5 Back Panel

Nominal $\frac{1}{8}$ " (3mm) thick hardwood with maple grained interior. Securely glued and stapled to end panels and hanging rails. Back panels are fully captured on wall cabinets.

6 Shelves

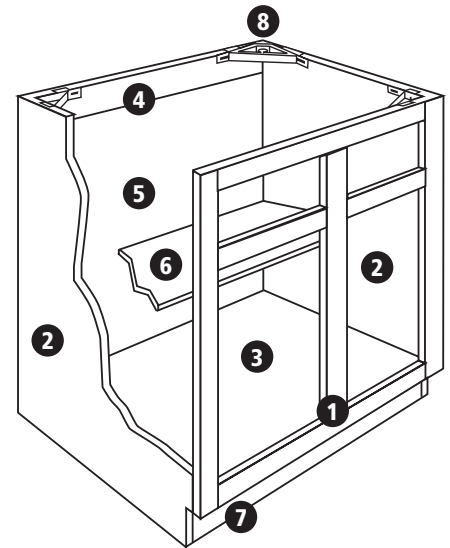
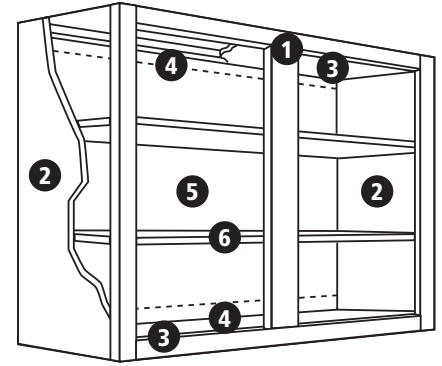
Nominal $\frac{3}{4}$ " (19mm) thick multi-ply hardwood plywood, with hardwood veneer banded front edge. Shelves are adjustable in all standard cabinets. Wall and tall cabinets receive full depth shelves; base and vanity cabinets receive half depth shelves.

7 Toe Kick

Nominal $\frac{1}{2}$ " (12mm) thick multi-ply hardwood plywood. Toe kick is $4\frac{1}{2}$ " high and recessed $3\frac{1}{2}$ ".

8 Base Corner Braces

High impact, injection molded plastic.



Drawers

Front, back and sides are $\frac{5}{8}$ " (16mm) thick solid hardwood with dovetail construction. Drawer bottoms are a nominal $\frac{1}{4}$ " (6mm) plywood veneer; bottoms are inserted into dado in front, back and sides.

Drawer Guides

High-quality epoxy coated steel, Cushion-Tec™, side mounted guides, self-adjusting in mounting brackets. Built-in stop, self-closing and stay-closed features with a 100 lb. rated load capacity.

Soft-Close Undermount Drawer Guide (Upgrade)

High-quality steel, undermount construction provides full drawer access. Self-adjusting in mounting brackets. Built-in stop, self-closing, and stay closed features with a 75 lb. rated load capacity. Provides soft-close feature that helps reduce drawer slamming.

Hinges

Standard: Heavy-duty, high-quality steel, concealed 6-way adjustable hinge with self-closing feature.

Upgrade: Gentle-Touch (soft-close) hinge – heavy-duty, high-quality steel, concealed 6-way adjustable hinge with soft close resistance.

NOTICE: The product specifications appearing herein supersede and cancel all previous sheets, supplements and addenda, and represent current manufacturing standards and procedures. Arbor Creek Cabinetry reserves the right to make specification changes for continued product improvement. For aesthetic considerations the furniture and cabinet industries have made veneer on composite panel substrate the standard method of construction for raised panel-in-frame doors in some wood species. Within the Arbor Creek Cabinetry product line, this includes orders in maple species.