

FRAMELESS SPECIFICATIONS

Frameless Construction

1 Box Construction

5/8" thick industrial grade particle board. Front face of cabinet is edge banded with PVC in color matching the door. Nailers, stretchers and toe kicks have a 2-dowel application.

2 End Panels

5/8" thick industrial grade particle board. Exterior panels faced with laminate matching the color of doors and drawer fronts. End panels are bore and dowel with glue joinery. End panels are not textured. Interior finish is white laminate.

3 Top/Bottom Panels

5/8" thick industrial grade particle board. Exposed exterior panels faced with laminate matching the color of doors and drawer fronts. Interior surfaces faced with white laminate.

4 Hanging Rails

5/8" thick x 4 1/2" high particle board. Hanging rails run the full width of the cabinet. Multiple hanging rails may be included depending on cabinet height/configuration.

5 Back Panel

1/8" thick captured back panel is dadoed and glued to maintain squareness and structural rigidity. Interior surfaces match case interior.

6 Shelves

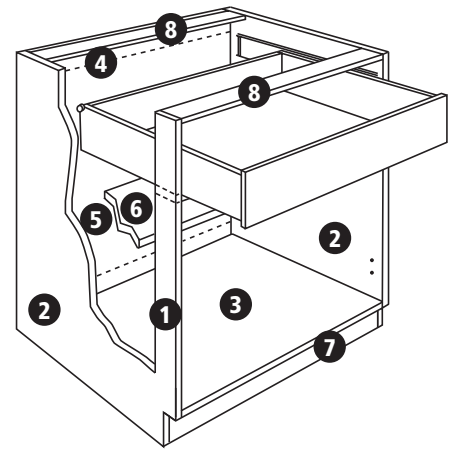
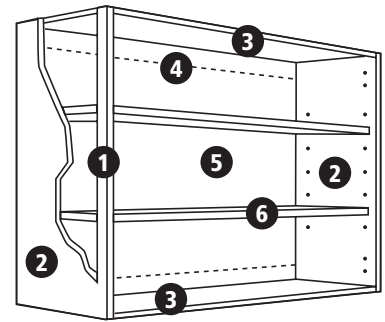
3/4" thick particle board with laminate on both sides; includes matching edge band for front edge. Shelves are adjustable all cabinets. Wall, base, 12" deep tall bookcase and vanity cabinets receive 10 1/2" deep shelves; tall cabinets receive 22 1/2" deep shelves.

Toe Kick

7 5/8" thick x 4 1/2" high industrial grade particle board captured between end panels. Toe kick is recessed 4".

Cross Support Stretchers

8 5/8" thick x 4 1/2" deep running the width of most base and vanity base cabinets, with matching edge band for front face.



Drawers

Standard: White Metal Drawer

German engineered, made in the USA, 3/4 extension drawer system. Integrated drawer slide and drawer side with white baked-on epoxy finish. Self-closing feature with 60mm closing range. Built-in drawer front bumpers. Load capacity of 75 lbs. Sides are 1/16" thick metal. Drawer bottoms and backs are 5/8" thick industrial grade particle board faced with polyurethane-coated white laminate. Assembly construction is machined and pressed into sides for precision fitment.

Dovetail Drawer (Upgrade)

Front, back and sides are 5/8" (16mm) thick hardwood with dovetail construction. Drawer bottoms are nominal 1/4" (6mm) thick multi-ply hardwood plywood inserted into dado in front, back and sides. Includes high-quality steel, undermount soft-close drawer guides that help reduce drawer slamming. Self-adjusting in mounting brackets. Built-in stop, self-closing and stay closed features with a 75 lb rated load capacity.

Hinges

Standard: Heavy-duty, high-quality steel, concealed 6-way adjustable hinge with self-closing feature.

Upgrade: Gentle-Touch (soft-close) hinge – heavy-duty, high-quality steel, concealed 6-way adjustable hinge with soft close resistance.

NOTICE: The product specifications appearing herein supersede and cancel all previous sheets, supplements and addenda, and represent current manufacturing standards and procedures. We reserve the right to make specification changes for continued product improvement.