

ARBOR | CREEK[®]

C A B I N E T R Y



We know that you've put a great deal of time, thought and investment into the selection of your cabinetry, and we truly appreciate your decision to purchase Arbor Creek® products.

In the unlikely event that you encounter a problem with your cabinetry, we are ready and eager to assist you, subject to the terms of this Limited Warranty.

Arbor Creek® Cabinets, arborcreekcabinets.com/contact-us

This Limited Warranty is extended to the original Customer only for use of the product within the United States. This Limited Warranty is not transferable. No changes or modifications can be made to this Limited Warranty except by a company officer.

STATEMENT OF LIMITED WARRANTY

We firmly stand behind the quality of our products, and warrant to you, our Customer, that **our cabinetry will be free from defects in material and workmanship under ordinary use for a period of 2 years from the date of purchase.**

LIMITATIONS AND EXCLUSIONS

This Limited Warranty is limited to defects in material and workmanship and does not apply to:

- Damage caused by the improper installation of your cabinets.
- Damage, theft, or loss that occurs after we have properly delivered your cabinets to you, or your retailer, dealer, builder or contractor.
- Issues with other products used or installed in connection with your cabinets including, but not limited to, appliances, countertops, or plumbing fixtures (including the costs to remove and reinstall such other products).
- Damage caused by misuse, abuse, neglect, accident, alteration, improper or non-residential use, exposure to moisture or extreme temperatures, or other environmental factors in your home, including smoke damage, failure to maintain or acts of God.
- Naturally occurring wood characteristics such as, but are not limited to, variations in color or grain pattern, and knots. These characteristics will be prominent through stained finishes and may be visible through painted finishes.
- Natural joint movement and seam lines. Wood will expand and contract with changes in temperature and humidity. Wood components, such as doors and frames, will develop seam lines, which include small joint separations and hairline cracks in the finish in locations where wood is joined together. Painted finishes are particularly prone to seam lines.
- Changes in color and finish due to UV light, sunlight, smoke, household cleaners, and other environmental conditions and general aging. As cabinetry products age, the finish may mellow or discolor slightly.
- Variations from samples and displays. Wood varies significantly from piece to piece. Wood finishes change in sheen and color over time due to exposure to natural and artificial light and other environmental factors. Because of this, new and or replacement cabinets may not match showroom displays, color chip samples, photographs in catalogs or websites, or existing cabinetry in your home
- Damage caused by ordinary wear and tear.

WARRANTY PERFORMANCE

In the event of a defect in material or workmanship within the terms and conditions set forth herein, we will repair or replace the product, at our sole option, without charge. If the affected product is no longer available, Arbor Creek® Cabinets reserves the right to: (i) replace the affected component with a new component of a similar style, or (ii) replace the affected component and any other component within the total product to achieve a uniform appearance with as similar and comparable product style and quality as possible to the original product.

We cannot guarantee that replacements will match the finish and appearance of the original product. Our warranty extends solely to the product. We are not responsible for the cost of: (i) removal of defective product, (ii) installation of repaired or replaced product, or (iii) removal or installation of appliances, plumbing, flooring, or other fixtures. Repaired or replaced product shall be warranted for a period equal to the remaining period of the original Limited Warranty on the product or for ninety days, whichever is longer.

LIMITED WARRANTY DISCLAIMER

THIS LIMITED WARRANTY SETS OUT THE FULL EXTENT OF ARBOR CREEK® CABINET'S RESPONSIBILITIES, AND THE EXCLUSIVE REMEDY REGARDING THE PRODUCTS. ALL IMPLIED WARRANTIES, INCLUDING WITHOUT LIMITATION, IMPLIED WARRANTIES OF MERCHANTABILITY AND FITNESS FOR A PARTICULAR PURPOSE, ARE LIMITED TO THE DURATION OF THIS LIMITED WARRANTY. IN NO EVENT SHALL ARBOR CREEK® BE LIABLE FOR DAMAGES IN EXCESS OF THE PURCHASE PRICE OF THE PRODUCT OR FOR, WITHOUT LIMITATION, COMMERCIAL LOSS OF ANY SORT; LOSS OF USE, TIME, DATA, REPUTATION, OPPORTUNITY, GOODWILL, PROFITS OR SAVINGS; INCONVENIENCE; INCIDENTAL, SPECIAL, CONSEQUENTIAL OR PUNITIVE DAMAGES; OR DAMAGES ARISING FROM THE USE OR INABILITY TO USE THE PRODUCT. SOME STATES AND JURISDICTIONS DO NOT ALLOW LIMITATIONS ON HOW LONG AN IMPLIED WARRANTY LASTS, OR THE DISCLAIMER OR LIMITATION OF INCIDENTAL OR CONSEQUENTIAL DAMAGES, SO THE ABOVE LIMITATIONS AND DISCLAIMERS MAY NOT APPLY TO YOU. IF ANY PORTION OF THIS LIMITED WARRANTY IS HELD TO BE ILLEGAL OR UNENFORCEABLE, SUCH PARTIAL ILLEGALITY OR UNENFORCEABILITY SHALL NOT AFFECT THE ENFORCEABILITY OF THE REMAINDER OF THE LIMITED WARRANTY.

CLAIMS

To initiate a claim, contact your retailer, dealer, builder or contractor.

If you cannot initiate your claim through your place of purchase or if you have difficulty obtaining assistance, you may submit a claim by filling in our online form:

Arbor Creek® Cabinets, arborcreekcabinets.com/contact-us

All claims must be submitted in writing and must specify all issues you have with your cabinets. Pictures are also very helpful to assist in processing your claim. Once Arbor Creek® Cabinets has had an opportunity to review your claim, we will, at our sole discretion, either replace defective cabinets and accessories or repair any defects in the cabinets and accessories within a commercially reasonable period of time.

Arbor Creek® Cabinets is a product of Cabinetworks Group Michigan, LLC, located at 20000 Victor Pkwy, Livonia, MI 48152, 734-205-4600.

This Limited Warranty is effective for products purchased on or after **June 13, 2022.**

Table of Contents

UPD	Updates: What's New, Discontinued and Updated
100	Cabinet Specifications
200	Door Styles and Finishes
300	Wall Cabinets
400	Base Cabinets
500	Tall Cabinets
600	Vanity Cabinets
700	Accessories & Parts
800	Modifications

WHAT'S NEW?**New Door Style:**

- Hammond now available in half overlay with a slab drawer front. Available in maple and paint grade.

New Finish:

- Grey Cloud Thermofoil Laminate
- [Alpine White Paint](#)

New SKUs:

- Plumbing Skirt Sink Bases (REMIS)
- Four Drawer Bases (DB4)
- Four Drawer Vanity Bases (VDB4)
- [32 1/2" High Vanity and Universal Design Cabinets \(New SKU Nomenclature\)](#)

WHAT'S DISCONTINUED?**Door Style Discontinuation:**

- Maiden

Discontinued Finish:

- Fog Grey Thermofoil Laminate
- [Dover White Paint](#)

Cabinet SKU Discontinuations:

- Diagonal Corner Base (DCB)
- Trash Can Pull-Out Base with Wire Pull-Out (TCPDM)
- Tall Oven with Double Drawers (OC2DB)
- 16" Deep Vanity Sink Base (VSB1816)
- [32" High Vanity and Universal Design Cabinets](#)

WHAT'S UPDATED?

- The backs of thermofoil laminate doors and drawer fronts have been updated to a white low pressure melamine.
- Center mullion specifications have been updated, see individual cabinet specifications for details.
- Altered depth specifications have been updated, see individual cabinet specifications for details.
- TB09 (9" wide base with full height door) specifications have been updated to indicate that a shelf is not included.
- Removable Sink Base Cabinets (REMSB) updates:
 - Altered depth modification to 21" is now available.
 - 9" high toe kick options (UD9TK) are no longer available.
- Lazy Susan Base cabinet updated from rotating doors to hinged; will always be hinged left.
- 18" wide Trash Can Pull-Out updated from one trash can to two (SKU updated to 2TCPPB18).
- Quarter round molding (ASHM8) profile was updated, see individual specifications for new profile.
- Shaker crown molding (ASHCM8) dimensions have been updated, see individual specifications for details.
- Light rail molding (ALRM) updated to 3/4" thickness.
- Straight valances (ASTV) have been updated to 4" high.
- Touch-Up Spray Can information has been updated to indicate that orders ship by truck only.
- Touch-Up Kits will no longer include putty jars. Putty will still be available to order separately.

100



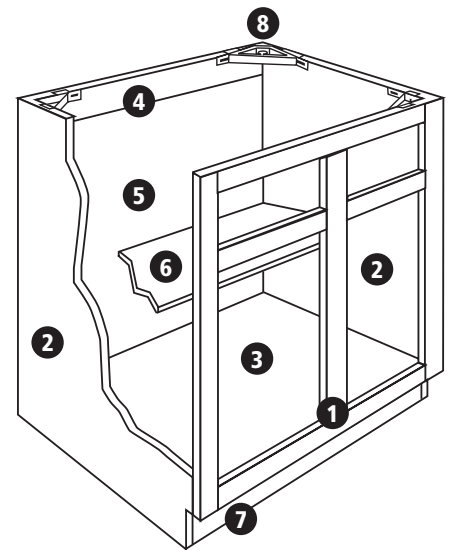
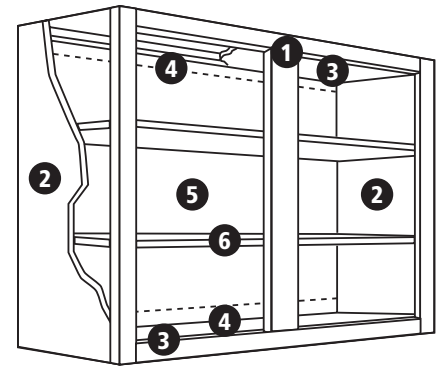
SPECIFICATIONS

In This Section

- 100.3** Framed Standard Construction
- 100.4** Framed Allwood Construction
- 100.5** Care and Maintenance

Framed Standard Construction

- 1 Front Frame**
 ¾" thick kiln dried solid hardwood. Bore and dowel or pocket screw construction frame joinery reinforced with glue and nails. Stiles and rails are 1½" wide. Mullions are 3" wide. Stiles dadoed to receive ends. Rails dadoed to receive tops and bottoms.
- 2 End Panels**
Standard: Nominal ½" (12mm) thick wood based composite panel with matching laminate exterior surfaces. Cabinets will come with light maple laminate interiors. All end panels are inserted into dado in face frame and recessed ¼".
Upgrade: Nominal ½" (12mm) thick multi-ply hardwood plywood with maple veneer (stain finishes) or matching laminate (paint and thermofoil finishes) on exterior surface and birch veneer on interior surface. All end panels are constructed with the same dado joinery as above and are recessed ¼".
- 3 Top/Bottom Panels**
 Nominal ½" (12mm) thick wood based composite panel with light maple laminate interior surfaces. Tops and bottoms are set into grooved end panels and front rails, glued and stapled. Bottoms are supported at rear of base cabinet by nominal ½" (12mm) thick wood base composite panel.
- 4 Hanging Rails**
 Constructed from nominal ½" (12mm) thick x 4¼" high wood based composite panel. Hanging rails run the full cabinet width at top for all cabinets; wall cabinets receive an additional hanging rail at the bottom. Hanging rails are captured between end panels and are recessed behind the back panel for wall cabinets and in front of back panels for base, vanity and tall cabinets.
- 5 Back Panel**
 Nominal ⅛" (3mm) thick hardboard with light maple laminate interior surface. Securely glued and stapled to end panels and hanging rails. Back panels are fully captured on wall cabinets.
- 6 Shelves**
 Nominal ¾" (19mm) thick wood based composite panel with light maple laminate on both faces and matching edge band on front edge. Shelves are adjustable in all standard cabinets. Wall and tall cabinets receive full depth shelves, base and vanity cabinets receive half depth shelves.
- 7 Toe Kick**
 Nominal ½" (12mm) thick unfinished wood based composite panel captured between end panels. Toe kick is 4½" high and recessed 3½".
- 8 Base Corner Braces**
 High impact injection molded plastic. NOTE: Drawings in this manual may not reflect corner braces.



Drawers

Front, back and sides are ⅝" (16mm) thick hardwood with dovetail construction. Drawer bottoms are a nominal ¼" (6mm) plywood veneer; bottoms are inserted into dado in front, back and sides.

Drawer Guides

Standard guides feature high-quality epoxy coated steel with self-adjusting in mounting brackets. Also includes built-in stop, self-closing and stay-closed features with a 75 lb rated load capacity.

Soft-Close Undermount Drawer Guide (Upgrade)

High-quality steel, undermount construction provides full drawer access. Self-adjusting in mounting brackets. Built-in stop, self-closing and stay closed features with a 75 lb rated load capacity. Provides soft-close feature that helps reduce drawer slamming.

Hinges

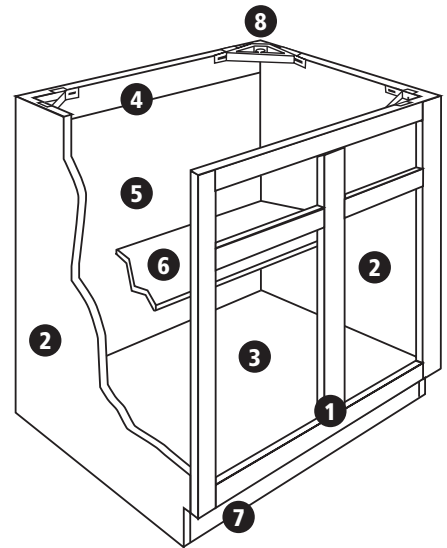
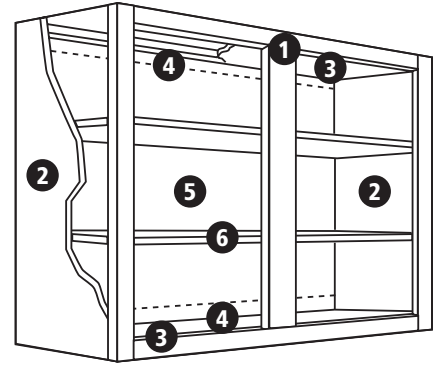
Standard: Heavy-duty, high-quality steel, concealed 6-way adjustable hinge with self-closing feature.

Upgrade: Gentle-Touch (soft-close) hinge – heavy-duty, high-quality steel, concealed 6-way adjustable hinge with soft close resistance.

NOTICE: The product specifications appearing herein supersede and cancel all previous sheets, supplements and addenda, and represent current manufacturing standards and procedures. We reserve the right to make specification changes for continued product improvement. For aesthetic considerations the furniture and cabinet industries have made veneer on composite panel substrate the standard method of construction for raised panel-in-frame doors in some wood species. Within this product line, this includes orders in maple species.

Framed Allwood Construction

- 1 Front Frame**
 $\frac{3}{4}$ " thick kiln dried solid hardwood. Bore and dowel or pocket screw construction frame joinery reinforced with glue and nails. Stiles and rails are $1\frac{1}{2}$ " wide. Mullions are 3" wide. Stiles dadoed to receive ends. Rails dadoed to receive tops and bottoms.
- 2 End Panels**
Standard: Nominal $\frac{1}{2}$ " (12mm) thick multi-ply birch veneer plywood with matching laminate exterior surfaces. End panels are inserted into dado in face frame and recessed $\frac{1}{4}$ ".
Upgrade: Nominal $\frac{1}{2}$ " (12mm) thick multi-ply hardwood plywood with maple veneer (stain finishes) or matching laminate (paint and thermofoil finishes) on exterior surface and birch veneer on interior surface. All end panels are constructed with the same dado joinery as above and are recessed $\frac{1}{4}$ ".
- 3 Top/Bottom Panels**
 Nominal $\frac{1}{2}$ " (12mm) thick multi-ply hardwood plywood. Tops and bottoms set into grooved end panels and front rails, glued and stapled. Bottoms are supported at rear of base cabinets by nominal $\frac{1}{2}$ " (12mm) thick multi-ply hardwood plywood.
- 4 Hanging Rails**
 Constructed from nominal $\frac{1}{2}$ " (12mm) thick x $4\frac{1}{4}$ " high multi-ply hardwood plywood. Hanging rails run the full cabinet width at top for all cabinets; wall cabinets receive an additional hanging rail at the bottom. Hanging rails are captured between end panels and are recessed behind the back panel for wall cabinets and in front of back panels for base, vanity and tall cabinets.
- 5 Back Panel**
 Nominal $\frac{1}{8}$ " (3mm) thick hardwood with maple grained interior. Securely glued and stapled to end panels and hanging rails. Back panels are fully captured on wall cabinets.
- 6 Shelves**
 Nominal $\frac{3}{4}$ " (19mm) thick multi-ply hardwood plywood, with hardwood veneer edge band on front edge. Shelves are adjustable in all standard cabinets. Wall and tall cabinets receive full depth shelves, base and vanity cabinets receive half depth shelves.
- 7 Toe Kick**
 Nominal $\frac{1}{2}$ " (12mm) thick multi-ply hardwood plywood. Toe kick is $4\frac{1}{2}$ " high and recessed $3\frac{1}{2}$ ".
- 8 Base Corner Braces**
 High impact, injection molded plastic. NOTE: Drawings in this manual may not reflect corner brace.



Drawers

Front, back and sides are $\frac{5}{8}$ " (16mm) thick hardwood with dovetail construction. Drawer bottoms are a nominal $\frac{1}{4}$ " (6mm) plywood veneer; bottoms are inserted into dado in front, back and sides.

Drawer Guides

Standard guides feature high-quality epoxy coated steel with self-adjusting in mounting brackets. Also includes built-in stop, self-closing and stay-closed features with a 75 lb rated load capacity.

Soft-Close Undermount Drawer Guide (Upgrade)

High-quality steel, undermount construction provides full drawer access. Self-adjusting in mounting brackets. Built-in stop, self-closing and stay closed features with a 75 lb rated load capacity. Provides soft-close feature that helps reduce drawer slamming.

Hinges

Standard: Heavy-duty, high-quality steel, concealed 6-way adjustable hinge with self-closing feature.

Upgrade: Gentle-Touch (soft-close) hinge – heavy-duty, high-quality steel, concealed 6-way adjustable hinge with soft close resistance.

NOTICE: The product specifications appearing herein supersede and cancel all previous sheets, supplements and addenda, and represent current manufacturing standards and procedures. We reserve the right to make specification changes for continued product improvement. For aesthetic considerations the furniture and cabinet industries have made veneer on composite panel substrate the standard method of construction for raised panel-in-frame doors in some wood species. Within this product line, this includes orders in maple species.

Care and Maintenance

Our cabinets are finished to resist stains and surface damage that can be caused by common household chemicals. Please follow these simple special care and maintenance guidelines which will allow you to enjoy your cabinets for many years to come.

- Wipe with a clean, soft, damp cloth and dry immediately. Never use kitchen cloths or sponges that might have detergent or grease on them, or embedded abrasives.
- To remove food residue or grease, use any common dishwashing liquid (not detergent) or solution of mild soap and water. Wipe with a clean damp cloth. Dry thoroughly.
- If a spill occurs, clean and dry immediately. Left unattended, a spill can soak through the cabinet surfaces and cause damage.

Your cabinets have been finished with a coating that exhibits excellent resistance to foods, beverages and household agents typically found in the kitchen or bath. However, from time to time, your cabinets will need regular cleaning and care.

- Clean at least once a month by wiping the surface with a clean, damp cloth, then dry immediately. Do not use a dishcloth for cleaning. It could contain remnants of grease or detergents. Never use soap pads, steel wool, or cleaners that contain bleach, ammonia, or abrasives. These agents may cause discoloration, marring or dulling of the finish. Do not wax or polish cabinet surfaces, wax build-up will leave a residue that is difficult to remove. Polishes containing silicone should not be used. Products such as Murphy® Oil Soap contain no wax, petroleum or silicones.
- Excess moisture can damage any cabinet finish; areas near the sink, range, dishwasher, oven and baseboards are most susceptible. With all cabinets, take a little extra care on bottom edges of base cabinets and base cabinet doors where invisible moisture often collects. Keep these surfaces dry.
- Avoid draping damp cloths or dish towels over the cabinet doors. Over a period of time, this moisture could cause permanent damage to your cabinet finish.

Thermofoil Laminate Surfaces

Periodically clean the surface using a soft, dampened cloth. Most non-abrasive cleaners are ideal for these surfaces; tough stains may be cleaned using a soft cloth dampened with a mild type of cleanser. However, cleaners with acetone, ethyl alcohol or mineral oils should not be used. Do not wax or polish these surfaces.

200

DOOR STYLES & FINISHES

In This Section

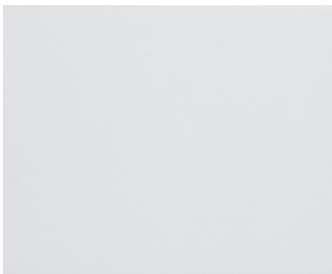
- 200.3** Wood Species and Material Information
- 200.4** Finish Information
- 200.5** Finish / Color Charts
- 200.6** Door Styles, Wood Species/Material and Price Group Chart
- 200.7** Door Styles

Wood Species and Material Information



MAPLE has a smooth texture with tight, uniform grain patterns. It is generally creamy white, varying slightly from almost bright white to light pink or reddish brown. Maple contains a natural resin that causes wood to turn amber as it ages. This change, which is accelerated by exposure to natural light, is more noticeable

with lighter stains. Maple may occasionally contain small mineral streaks that form naturally when trees absorb minerals from the soil.



PAINT GRADE doors, drawer fronts, cabinet components, moldings and accessories may feature hardwood, engineered materials (such as MDF) or a combination of both to create a beautifully finished and durable product. MDF center panels may be used on painted door styles. Unless otherwise noted, the primary material for slab doors

or doors with stiles/rails will be HDF; see Sayers, Selway and Vernon door styles for exceptions. Paint grade products have certain inherent characteristics that must be expected. Small hairline cracks may appear at joinery points on doors, drawer fronts, cabinet frames, etc. Also, some grain patterns of wood may be apparent through painted finishes. Painted finishes should be expected to show a slight color change over time. These characteristics are inherent and will not be considered defective.

Why is this important?

We call your attention to these characteristics because the effects of these variations in an entire room may be different from what one visualizes when viewing a small display, a single door or a small sample. Most wood parts are constructed using different pieces of wood; each piece will accept stain in different ways. These variations in grain and color are inherent in the wood and are a natural enhancement to our product.

We feel the beauty of real hardwood is created by the infinite variation of grain texture and color. This is the nature of hardwood and wild or unusual graining will not be considered reason for replacement. In addition, we take care in selecting our doors. There is, however, no special emphasis made to select doors to match one another. Contrasting grain or color variations in doors is considered acceptable and will not be considered reason for replacement. Wood cabinetry is also affected by humidity. Warpage and shrinking may be caused by changes of humidity in the home. We recommend the use of an air conditioner and humidifier to control the humidity of the home.

Thermofoil Laminate

Finish options: Solid

Thermofoil laminate doors and drawer fronts are 5/8" thick medium density fiberboard (MDF). The front and four edges of doors and drawers are covered with thermofoil laminate material. Doors are backed with white low pressure melamine.

Thermofoil laminate has consistent color and surface quality from edge to edge. Thermofoil laminate is made from PVC, which is one of the most versatile polymers. It prints and laminates very well and can accept a variety of coatings. A protective peel coat is applied to some thermofoil laminate product. Please remove after cabinet installation, but prior to decorative hardware installation (use fingernail, not sharp objects to remove).

High heat generated from the self-cleaning cycle of ovens or ranges may discolor thermofoil laminate cabinetry. It is highly recommended to use a heat shield (see Section 700) or open the doors and drawers fully while running the self-cleaning cycle. Damage caused by excessive heat is not covered by warranty.

Finish Information

Stain Finishes

Rich, appealing tones and distinctive wood grain character are your assurance of lasting beauty with our exclusive 17-step stain finishing process.

1 2 3

Our 17-step process begins with a thorough machine and hand-sanding of all surfaces, and the mechanical removal of all dust particles. Infrared heat is then introduced to the product surface to achieve consistent color development year-round.

4

Next, pre-stain toners are applied evenly to provide base color uniformity.

5 6 7

Specially formulated stains are hand-sprayed, dried gradually, and sealed with a chemical resistant compound on the product's face and back to retain consistency.

8 9 10 11

Sealed products are treated with an ambient air temp flash off in a slow-dry oven and hot oven baked to ensure a complete cure. Sealed surfaces are then machine and hand-sanded with ultra-fine sandpaper and quality inspected for cleanliness and smoothness.

12 13 14 15 16 17

Dust particles are mechanically removed and product backs are mechanically sprayed with a conversion finish topcoat. Products go through ambient air temp flash off in a slow-dry oven, and then hot oven baked for a complete cure throughout. Any dust particles are mechanically removed, then product fronts are mechanically sprayed with a conversion finish topcoat. Products go through ambient air temp flash off in a slow-dry oven, and then hot oven baked for a complete cure throughout.



Paint Finishes

Our exclusive 11-step paint finishing technique guarantees smooth, consistent color and durable quality to deliver striking designs that last for decades.

1 2

During the 11-step process, all surfaces are machine and hand-sanded, and dust particles are mechanically removed.

3 4 5 6 7 8

Catalyzed primer (varnish) is hand-sprayed. Products go through ambient air temp flash off in a slow dry oven, then hot oven baked to ensure a complete cure of primer coat. Cured primer product is hand-sanded with fine grit sandpaper to desired smoothness. Excess dust is then removed with high pressure compressed air in preparation for the final enamel coat.

9 10 11

Catalyzed enamel topcoat is hand-sprayed. Products go through ambient air temp flash off in a slow dry oven, then hot oven baked to ensure a complete cure throughout.

Painted cabinets may feature a combination of hardwood and engineered materials to create a beautifully finished product. Painted drawer fronts, door stiles, door rails, and/or door center panels may be constructed of medium density fiberboard (MDF). Due to the natural expansion and contraction of wood, visible joint lines may appear.




Finish / Color Charts

STAIN FINISHES			
FINISH OPTIONS	FINISH CHARGE	MAPLE	PAIN T GRADE
Coffee	no upcharge	◆	
Espresso	no upcharge	◆	
Graphite	no upcharge	◆	
Nebbia	no upcharge	◆	
Nuvoloso	no upcharge	◆	
Pecan	no upcharge	◆	
Slate	no upcharge	◆	

PAINT			
FINISH OPTIONS	FINISH CHARGE	MAPLE	PAIN T GRADE
Alpine White	15%		◆
Dove Grey	15%		◆
Grigio Grey	15%		◆


THERMOFOIL LAMINATE	
COLOR	THERMOFOIL LAMINATE DOOR STYLES
Bianco White	◆
Grey Cloud	◆



DESIGN NOTE

Backsides of thermofoil laminate doors and drawer fronts feature white low pressure melamine.

- ◆ Species/finish combination available. Receives complementary laminate ends; matching plywood end modifications **recommended** for exposed cabinet ends for best match in finish and species.



DESIGN NOTE

Remember to specify matching plywood end modifications for cabinets with exposed ends for best final result. Matching plywood ends in stain finishes receive finished veneer; paint and thermofoil laminate options receive laminated plywood.

DOOR STYLES, WOOD SPECIES/MATERIAL AND PRICE GROUPS

DOOR STYLE	OVERLAY	MAPLE	PAINT GRADE	THERMOFOIL LAMINATE
Hammond – Slab Drawer Front	Full Overlay	3	3	
Hammond – 5 Piece Drawer Front	Full Overlay	4	4	
Hammond – Slab Drawer Front	Half Overlay	2	2	
Holston	Full Overlay	3	3	
Holston	Half Overlay	2	2	
Laurel	Full Overlay	3	3	
Mazon	Full Overlay			2
Nolin	Half Overlay	1		
Sayers	Full Overlay	4	4	
Sayers	Half Overlay	3	3	
Selway	Full Overlay	3	3	
Selway	Half Overlay	2	2	
Vernon	Full Overlay	4	4	
Vernon	Half Overlay	3	3	



Hammond
Full Overlay & Half Overlay

- ¾" thick door frames and drawer fronts.
- Shaker door with 3" rails and stiles.
- Veneer flat center panel, HDF door for paint finishes.
- Assembled with 5-piece mortise and tenon joinery.
- Slab drawer fronts; full overlay style available with 5-piece drawer front option. Specify appropriate door code.

Wood Species/Material	Door Code	Price Group
FULL OVERLAY – SLAB DRAWER FRONT		
Maple	HAMFM043	3
Paint Grade	HAMFG123	3

FULL OVERLAY – 5 PIECE DRAWER FRONT		
Maple	HAMFM042	4
Paint Grade	HAMFG122	4



HALF OVERLAY – SLAB DRAWER FRONT		
Maple	HAMSM083	2
Paint Grade	HAMSG163	2



Holston
Full Overlay & Half Overlay

- ¾" thick door frames and drawer fronts.
- Shaker door with 2¼" rails and stiles.
- Veneer flat center panel, HDF door for paint finishes.
- Assembled with 5-piece mortise and tenon joinery.
- Slab drawer fronts.

Wood Species/Material	Door Code	Price Group
FULL OVERLAY		
Maple	HOLFM049	3
Paint Grade	HOLFG128	3

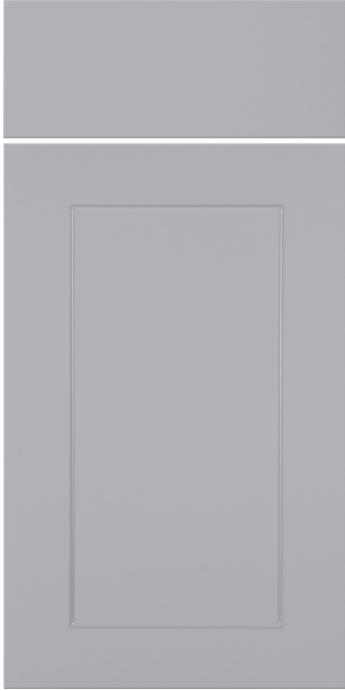
HALF OVERLAY		
Maple	HOLSM089	2
Paint Grade	HOLSG168	2



Laurel
Full Overlay

- ⅝" thick doors and drawer fronts.
- Slab door style; veneer edge banded door for stain finishes; HDF door for paint finishes.
- Slab drawer fronts.

Wood Species/Material	Door Code	Price Group
FULL OVERLAY		
Maple	LAUFM054	3
Paint Grade	LAUFG133	3



Mazon
Full Overlay

- 5/8" thick door frames and drawer fronts.
- Shaker style thermofoil laminate door with 2 1/4" rails and stiles.
- Doors are backed with white low pressure melamine.
- Slab drawer fronts.

Wood Species/Material	Door Code	Price Group
FULL OVERLAY		
Thermofoil Laminate	MAZFR021	2



Nolin
Half Overlay

- 3/4" thick door frames and drawer fronts.
- 1 7/8" rails and stiles.
- Veneer flat center panel.
- Assembled with miter construction.
- Slab drawer fronts.

Wood Species/Material	Door Code	Price Group
HALF OVERLAY		
Maple	NOLSM084	1



Sayers
Full Overlay & Half Overlay

- 3/4" thick door frames and drawer fronts.
- 2 1/4" rails and stiles.
- Veneer raised center panel; painted product may receive MDF center panels.
- Assembled with 5-piece mortise and tenon joinery.
- Slab drawer fronts.
- Painted doors use hardwood material for the rails and stiles.

Wood Species/Material	Door Code	Price Group
FULL OVERLAY		
Maple	SAYFM046	4
Paint Grade	SAYFG125	4
HALF OVERLAY		
Maple	SAYSM086	3
Paint Grade	SAYSG165	3



Selway
Full Overlay & Half Overlay

- ¾" thick door frames and drawer fronts.
- 2¼" rails and stiles.
- Veneer flat center panel; painted product may receive MDF center panels.
- Assembled with 5-piece mortise and tenon joinery.
- Slab drawer fronts.
- Painted doors use hardwood material for the rails and stiles.

Wood Species/Material	Door Code	Price Group
FULL OVERLAY		
Maple	SELFM045	3
Paint Grade	SELFG124	3
HALF OVERLAY		
Maple	SELISM085	2
Paint Grade	SELISG164	2



Vernon
Full Overlay & Half Overlay

- ¾" thick doors and drawer fronts.
- Slab door style.
- Solid wood door for stain finishes; solid wood door for paint finishes.
- Slab drawer fronts.

Wood Species/Material	Door Code	Price Group
FULL OVERLAY		
Maple	VERFM053	4
Paint Grade	VERFG132	4
HALF OVERLAY		
Maple	VERSM093	3
Paint Grade	VERSG172	3

300



WALL CABINETS

In This Section

- 300.3** 12" and 24" Deep Wall Cabinets
- 300.4** Corner Wall Cabinets, Wall Blind Corner Cabinets
- 300.5** Microwave Wall Cabinets, Spice Storage, Wine Storage
- 300.6** Range Hood, Range Hood Chimney, Range Hood Blower

Wall Cabinets

- Adjustable shelf quantities listed in () below.
- 12-36" high wall cabinets receive two hinges per door; 42" high wall cabinets receive three hinges per door.
- Cabinets 39" wide and greater receive a center mullion.
- 9-24" altered depth modification available; cabinets larger than 39" wide and/or 30" high not available in 21" or 24" altered depths.

12" Deep

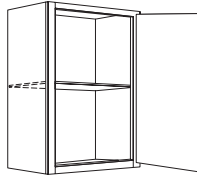
Single Door

24" High (1)

- W1224 L or R
- W1524 L or R
- W1824 L or R
- W2124 L or R

30" High (2)

- W0930 L or R
- W1230 L or R
- W1530 L or R
- W1830 L or R
- W2130 L or R



36" High (2)

- W0936 L or R
- W1236 L or R
- W1536 L or R
- W1836 L or R
- W2136 L or R

42" High (3)

- W0942 L or R
- W1242 L or R
- W1542 L or R
- W1842 L or R
- W2142 L or R

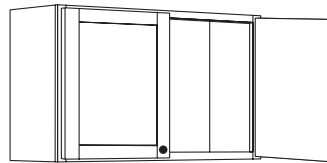
Butt Doors

12" High (0)

- W2412D
- W2712D
- W3012D
- W3312D
- W3612D

15" High (0)

- W2415D
- W2715D
- W3015D
- W3315D
- W3615D



18" High (0)

- W2418D
- W2718D
- W3018D
- W3318D
- W3618D

21" High (0)

- W2721D
- W3021D
- W3321D
- W3621D

24" High (1)

- W2424D
- W2724D
- W3024D
- W3324D
- W3624D

27" High (1)

- W3027D
- W3327D
- W3627D

30" High (2)

- W2430D
- W2730D
- W3030D
- W3330D
- W3630D

36" High (2)

- W2436D
- W2736D
- W3036D
- W3336D
- W3636D

42" High (3)

- W2442D
- W2742D
- W3042D
- W3342D
- W3642D

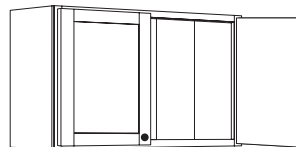
Double Doors

12" High (0)

- W3912

15" High (0)

- W3915



18" High (0)

- W3918
- W4218
- W4518
- W4818

21" High (0)

- W3921

24" High (1)

- W3924
- W4224
- W4524
- W4824

27" High (1)

- W3927

30" High (2)

- W3930
- W4230

36" High (2)

- W3936
- W4236

42" High (3)

- W3942
- W4242

24" Deep

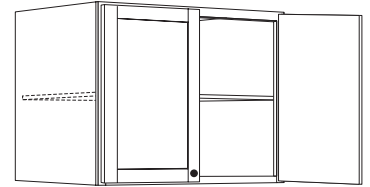
Butt Doors

12" High (0)

- W241224D
- W271224D
- W301224D
- W331224D
- W361224D

15" High (0)

- W241524D
- W271524D
- W301524D
- W331524D
- W361524D



18" High (0)

- W241824D
- W271824D
- W301824D
- W331824D
- W361824D

21" High (0)

- W242124D
- W272124D
- W302124D
- W332124D
- W362124D

24" High (1)

- W242424D
- W272424D
- W302424D
- W332424D
- W362424D

Double Doors

12" High (0)

- W391224

15" High (0)

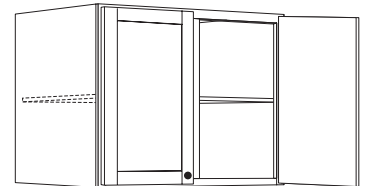
- W391524

18" High (0)

- W391824

21" High (0)

- W392124

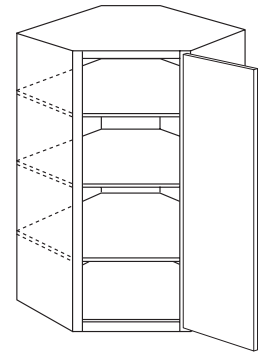


24" High (1)

- W392424

Corner Wall Cabinets

- Adjustable shelf quantities listed in () below.
- 30-36" high wall cabinets receive two hinges per door; 42" high wall cabinets receive three hinges per door.
- Requires 24" or 27" of wall space on each side.
- Doors are always 15½" wide regardless of overlay.
- Altered depth modification not available.



Single Door

30" High (2)

- CWC2430 L or R
- CWC2730 L or R

36" High (2)

- CWC2436 L or R
- CWC2736 L or R

42" High (3)

- CWC2442 L or R
- CWC2742 L or R

Wall Blind Corner Cabinets, 12" Deep

- Adjustable shelf quantities listed in () below.
- 30-36" high wall cabinets receive two hinges per door; 42" high wall cabinets receive three hinges per door.
- SKUs ending in **L** specify blind left; SKUs ending in **R** specify blind right.
- 15-18" altered depth modification available.
- Cabinet front only modification not available.

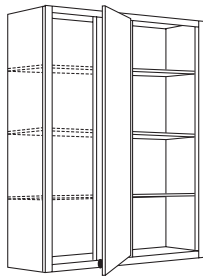
Single Door

30" High (2)

- WB2430 L or R
- WB2730 L or R
- WB3030 L or R
- WB3330 L or R

36" High (2)

- WB2436 L or R
- WB2736 L or R
- WB3036 L or R
- WB3336 L or R

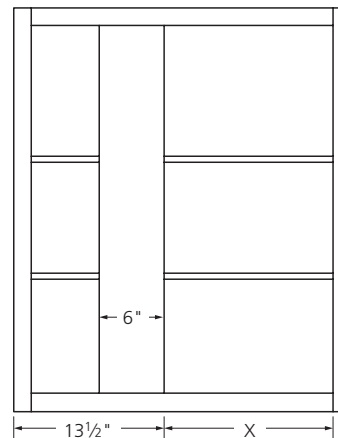


42" High (3)

- WB2442 L or R
- WB2742 L or R
- WB3042 L or R
- WB3342 L or R

- Hinge location is same as blind location.
- EXAMPLE: WB2430L specifies hinge left, blind left.

Front View



Cabinet Width	Actual Cabinet Width	Door Opening Width (X)	Blind Panel Width	Max Distance from Wall	Reversible
24"	24"	9"	6"	3"	Yes
27"	27"	12"	6"	3"	Yes
30"	30"	15"	6"	3"	Yes
33"	33"	18"	6"	3"	Yes
36"	36"	21"	6"	3"	Yes
39"	39"	24"	6"	3"	Yes
42"	42"	27"	6"	3"	Yes
45"	45"	30"	6"	3"	Yes
48"	48"	33"	6"	3"	Yes

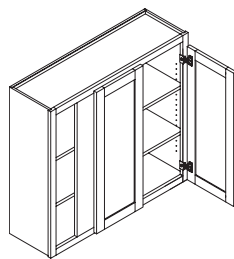
Butt Doors

30" High (2)

- WB3630D L or R
- WB3930D L or R
- WB4230D L or R
- WB4530D L or R
- WB4830D L or R

36" High (2)

- WB3636D L or R
- WB3936D L or R
- WB4236D L or R
- WB4536D L or R
- WB4836D L or R



42" High (3)

- WB3642D L or R
- WB3942D L or R
- WB4242D L or R
- WB4542D L or R
- WB4842D L or R

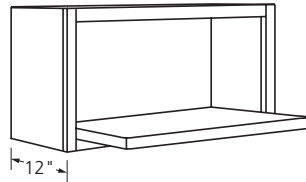
Microwave Wall Cabinets

- Includes matching interior.
- 15" microwave shelf is shipped separately.
- 15-21" altered depth modification available.
NOTE: Extended shelf is eliminated when altered depth modification is applied; cabinet will ship with standard cabinet bottom.
- Cabinet front only modification not available.

No Door, 15" Deep Shelf

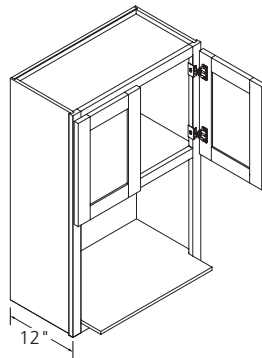
18" High

- MWC2418
- MWC2718
- MWC3018



Butt Doors, 15" Deep Shelf

- Two hinges per door.
- Adjustable top section shelf quantities listed in () below.
- Top section height:
 - 30" high cabinet top section aligns with a 12" high wall cabinet
 - 36" high cabinet top section aligns with a 18" high wall cabinet
 - 42" high cabinet top section aligns with a 24" high wall cabinet



30" High (0)

- MWC2430D
- MWC2730D
- MWC3030D

36" High (0)

- MWC2436D
- MWC2736D
- MWC3036D

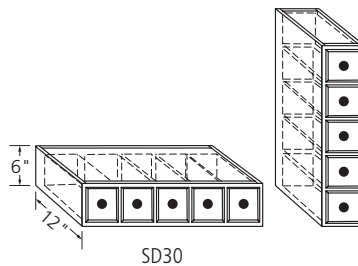
42" High (1)

- MWC2442D
- MWC2742D
- MWC3042D

Spice Drawer Cabinets

- SD24 4 Drawers
- SD30 5 Drawers
- SD36 6 Drawers

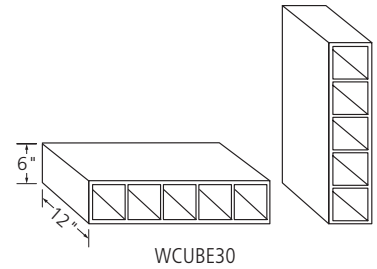
- Includes matching interior.
- Altered depth and plywood end modifications not available.
- Drawer sets convert to horizontal or vertical usage.
- Drawer front profiles are generic eased edge profile and do not necessarily match door profile.
- Clear coat wood pull-out spice drawers are set loose in opening without drawer guides.
- Decorative hardware is required; purchase hardware separately.



Wine Cube Cabinets

- WCUBE24 4 Cubes
- WCUBE30 5 Cubes
- WCUBE36 6 Cubes

- Includes matching interior.
- Wine cubes convert to horizontal or vertical usage.
- Altered depth, plywood end and cabinet front only modifications not available.



Wine Rack Lattice Cabinets, 12" Deep

- Includes matching interior.
- Altered depth and cabinet front only modifications not available.

15" High Bottle Qty

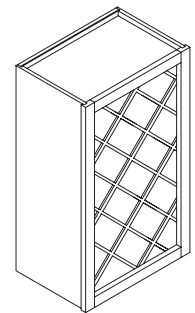
- WRL3015 10
- WRL3615 15

18" High Bottle Qty

- WRL3018 10

30" High Bottle Qty

- WRL1830 10
- WRL2430 18



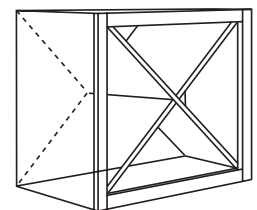
WRL1830

Crossmate Wine Storage Wall Cabinet, 12" Deep

- Includes matching interior.
- Altered depth, plywood end and cabinet front only modifications not available.

24" High

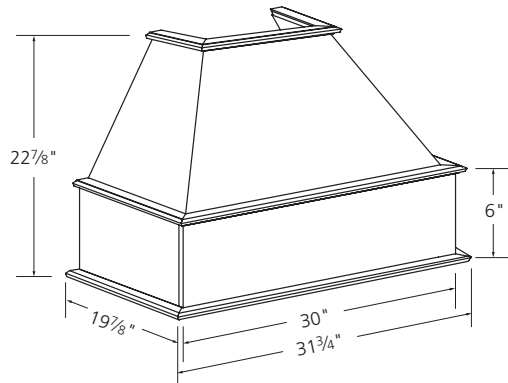
- WRX2424



Range Hood Chimney

■ WHC30

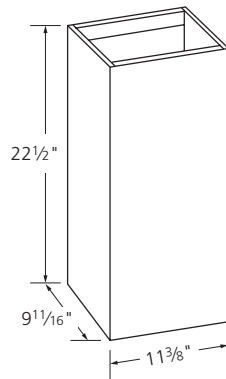
- Shipped with silver metallic powder-coated metal liner.
- Blower units must be ordered separately; see BUF20SM.
- Chimney stack must be ordered separately; see WHCS3023.
- Modifications not available.



Range Hood Chimney Stack

■ WHCS3023

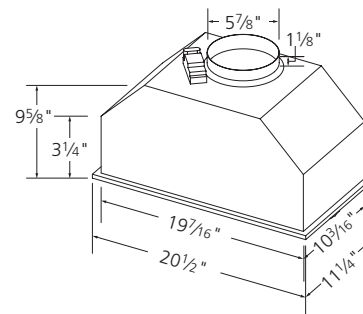
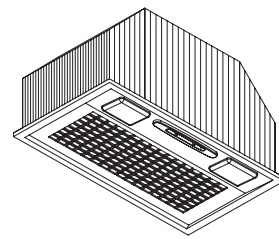
- Compatible with range hood WHC30.
- Blower units must be ordered separately.
- Chimney is three sided with support brace for back.
- Modifications not available.



Range Hood 390 CFM Blower Unit

■ BUF20SM

- Silver metallic.
- Centrifugal blower, 390 CFM, 6.0 sones.
- Multi-speed control.
- 6" round duct connector/back draft damper.
- Enclosed light.
- Accepts two incandescent 40-watt maximum candelabra bulbs; purchase bulbs separately.
- Durable, powder coated silver finish.
- Fully enclosed bottom.
- Compatible with range hood WHC30.
- Modifications not available.



400



BASE CABINETS

In This Section

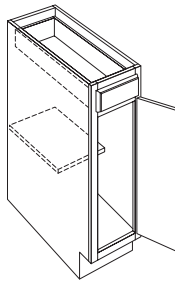
- 400.3** Base Cabinets, Base Cabinets with Full Height Doors
- 400.4** Base Cabinets with Roll-Out Trays
- 400.5** Sink Base Cabinets
- 400.6** Removable Sink Base Cabinets, Plumbing Skirts, Sink Fronts
- 400.7** Base Blind Corner Cabinets, Corner Base Cabinets, Lazy Susan Corner Base Cabinets
- 400.8** Three and Four Drawer Base Cabinets, Double Drawer Range Base Cabinets, Single Drawer Range Riser Base Cabinets, Single Drawer Microwave Base Cabinets
- 400.9** Trash Can Pull-Out Base Cabinets, Base Wine Cube Cabinets

Base Cabinets, 24" Deep, 34½" High

- Includes one half-depth adjustable shelf.
- Includes two hinges per door.
- Cabinets 39" and wider receive a center mullion.
- 18-21" altered depth modification available.
- Matching interior modification not available.
- For 32 ½" high universal cabinet:
 - With 4½" high toe kick add U to end of SKU.
EXAMPLES: B12UL* (single door), B24DU (butt doors), B39U (double doors).
 - With 9" high toe kick add U9TK to end of SKU.
EXAMPLES: B12U9TKL* (single door), B24DU9TK (butt doors), B39U9TK (double doors).
- Note exception for single door cabinets, hinge location is at end of SKU after U or U9TK.

Single Door, One Drawer

- B09 L or R
- B12 L or R
- B15 L or R
- B18 L or R
- B21 L or R

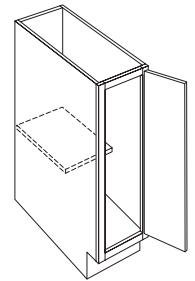


Base Cabinets with Full Height Door(s), 24" Deep, 34½" High

- Includes one half-depth adjustable shelf. EXCEPTION: TB09 does not come with a shelf.
- Includes two hinges per door.
- Cabinets 39" and wider receive a center mullion.
- 12-21" altered depth modification available.
- Matching interior modification not available.
- For 32 ½" high universal cabinet:
 - With 4½" high toe kick add U to end of SKU.
EXAMPLES: FHB12UL* (single door), FHB24DU (butt doors), FHB39U (double doors).
 - With 9" high toe kick add U9TK to end of SKU.
EXAMPLES: FHB12U9TKL* (single door), FHB24DU9TK (butt doors), FHB39U9TK (double doors).
- Note exception for single door cabinets, hinge location is at end of SKU after U or U9TK.

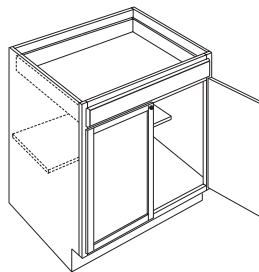
Single Door

- TB09 L or R
- FHB12 L or R
- FHB15 L or R
- FHB18 L or R
- FHB21 L or R



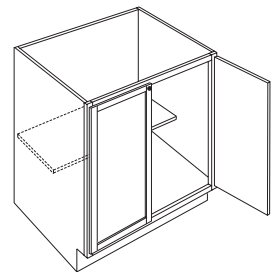
Butt Doors, One Drawer

- B24D
- B27D
- B30D
- B33D
- B36D



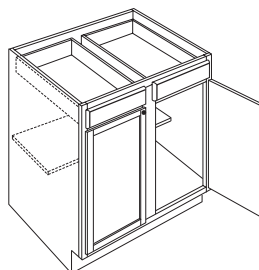
Butt Doors

- FHB24D
- FHB27D
- FHB30D
- FHB33D
- FHB36D



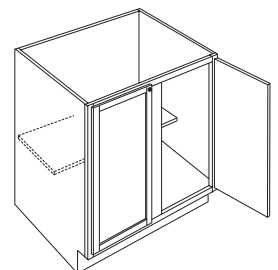
Double Doors, Two Drawers

- B39
- B42
- B45
- B48



Double Doors

- FHB39
- FHB42
- FHB45
- FHB48

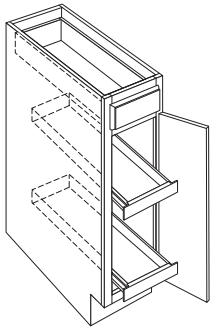


Base Cabinets with Roll-Out Trays, 24" Deep, 34½" High

- Includes two hinges per door.
- Includes two dovetail roll-out trays with standard guides.
- Standard or full extension soft-close guides available on top drawer.
- 18-21" altered depth modification available.
- Matching interior and full depth shelf modifications not available.
- For 32 ½" high universal cabinet:
 - With 4½" high toe kick add U to end of SKU. EXAMPLES: B12ROT2UL* (single door), B24DROT2U (butt doors).
 - With 9" high toe kick add U9TK to end of SKU. EXAMPLES: B12ROT2U9TKL* (single door), B24DROT2U9TK (butt doors).
- Note exception for single door cabinets, hinge location is at end of SKU after U or U9TK.

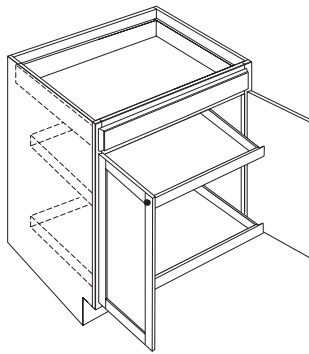
Single Door, One Drawer

- B09ROT2 L or R
- B12ROT2 L or R
- B15ROT2 L or R
- B18ROT2 L or R
- B21ROT2 L or R



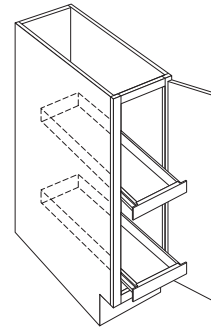
Butt Doors, One Drawer

- B24DROT2



Single Full Height Door

- FHB09ROT2 L or R
- FHB12ROT2 L or R
- FHB15ROT2 L or R
- FHB18ROT2 L or R
- FHB21ROT2 L or R

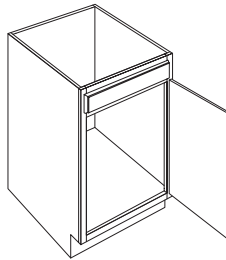


Sink Base Cabinets, 24" Deep, 34½" High

- Includes two hinges per door.
- Cabinets 39" and wider receive a center mullion.
- Includes full back in cabinet. Plumbing accommodations must be made at time of installation.
- Shelving not included.
- 12-21" altered depth modification available.
- Matching interior modification not available.
- For 32½" high universal cabinet:
 - With 4½" high toe kick add U to end of SKU. EXAMPLES: SB18UL* (single door), SB24DU (butt doors), SB39U (double doors).
 - With 9" high toe kick add U9TK to end of SKU. EXAMPLES: SB18U9TKL* (single door), SB24DU9TK (butt doors), SB39U9TK (double doors).
- Note exception for single door cabinets, hinge location is at end of SKU after U or U9TK.

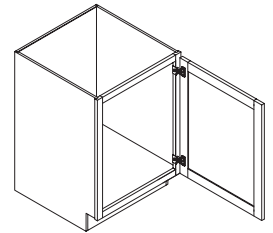
Single Door, One False Drawer Front

- SB18 L or R
- SB21 L or R



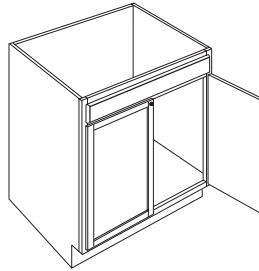
Single Full Height Door

- FHSB18 L or R
- FHSB21 L or R



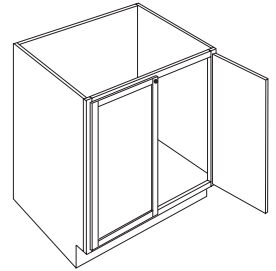
Butt Doors, One False Drawer Front

- SB24D
- SB27D
- SB30D
- SB33D
- SB36D



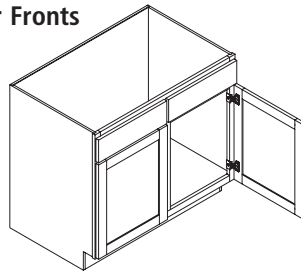
Full Height Butt Doors

- FHSB24D
- FHSB27D
- FHSB30D
- FHSB33D
- FHSB36D



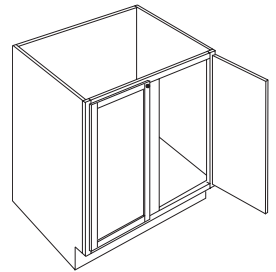
Double Doors, Two False Drawer Fronts

- SB39
- SB42
- SB45
- SB48



Full Height Double Doors

- FHSB39
- FHSB42
- FHSB45
- FHSB48

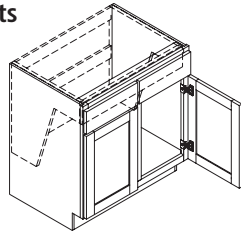


Removable Sink Base Cabinets, 24" Deep, 34½" High

- Includes two hinges per door.
- Includes removable base with insert.
- Cabinets 39" and wider receive a center mullion.
- Plumbing skirt is finished to match cabinet exterior.
- Plumbing skirt insert shipped with finished plumbing shield panel.
- Shelving and cabinet back not included.
- 21" altered depth modification available.
- Matching interior and cabinet front only modifications not available.
- Not available with 9" high toe kick (U9TK).
- For 32 ½" high universal cabinet with 4½" high toe kick add U to end of SKU.
EXAMPLE: REMSB30U

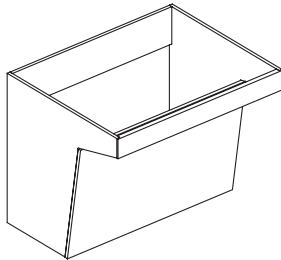
Double Doors, Two False Drawer Fronts

- REMSB30
- REMSB33
- REMSB36
- REMSB39
- REMSB42
- REMSB45
- REMSB48



Plumbing Skirt Sink Base Cabinets

- 21" altered depth modification available.
- Plywood bottom, matching interior and cabinet front only modifications not available.



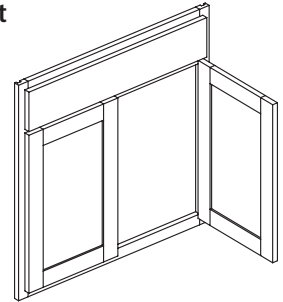
- REMIS30
- REMIS33
- REMIS36
- REMIS39
- REMIS42
- REMIS45
- REMIS48

Sink Fronts

- Includes two hinges per door.
- Does not include toe kick.
- Modifications not available.
- For 32 ½" high universal cabinet:
 - With 4½" high toe kick add U to end of SKU.
EXAMPLE: SF30DU
 - With 9" high toe kick add U9TK to end of SKU.
EXAMPLE: SF30DU9TK
 - NOTE: Front height will be adjusted to align with 32 ½" high U or U9TK cabinets; toe kick is excluded.

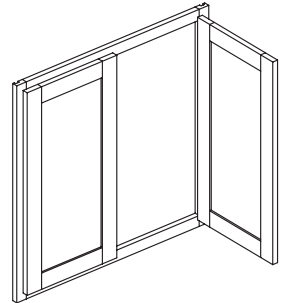
Butt Doors, One False Drawer Front

- SF30D
- SF36D



Full Height Butt Doors

- FHSF30D
- FHSF36D

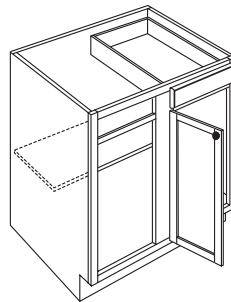


Base Blind Corner Cabinets, 24" Deep, 34½" High

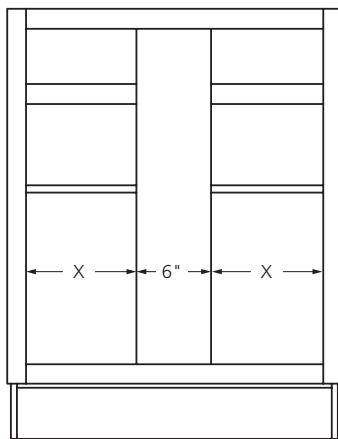
- Includes two hinges per door.
- Includes one half depth adjustable shelf.
- SKUs ending in **L** specify blind left, hinge left; SKUs ending in **R** specify blind right, hinge right.
- 18-21" altered depth modification available.
- Matching interior and cabinet front only modifications not available.
- For 32 ½" high universal cabinet:
 - With 4½" high toe kick add U to end of SKU.
EXAMPLE: BB36UL*
 - With 9" high toe kick add U9TK to end of SKU.
EXAMPLE: BB36U9TKL*
- Note for single door cabinets, hinge location is at end of SKU after U or U9TK.

Single Door, One Drawer

- BB36 L or R
- BB39 L or R
- BB42 L or R
- BB45 L or R
- BB48 L or R



Front View



X dimension is equal; see BB48 for exception.

Cabinet Width	Actual Cabinet Width	Door Opening Width (X)	Blind Panel Width	Max Distance from Wall	Reversible
36"	27"	9"	6"	13½"	Yes
39"	33"	12"	6"	10½"	Yes
42"	39"	15"	6"	7½"	Yes
45"	45"	18"	6"	4½"	Yes
48"	48"	21"* Left or Right	6"	1½"	No

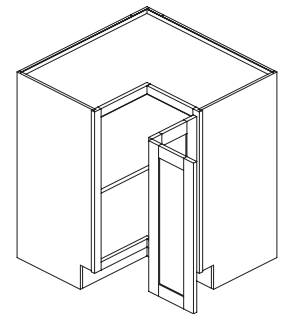
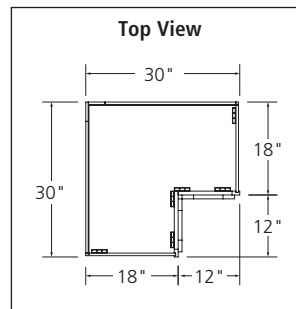
*BB48 is not reversible; blind opening is 18", door opening (X) is 21".

Corner Base Cabinets, 34½" High

- Cabinet doors are attached to end panel with three hinges.
- Includes full height doors; doors are attached together with one piano hinge.
- Includes one adjustable shelf.
- Requires 36" of wall space on each side.
- End panels are not finished.
- Altered depth, matching interior, full depth shelf and gentle-touch hinge modifications not available.
- For 32 ½" high universal cabinet:
 - With 4½" high toe kick add U to end of SKU.
EXAMPLE: CBC36UL*
 - With 9" high toe kick add U9TK to end of SKU.
EXAMPLE: CBC36U9TKL*
- Note for single door cabinets, hinge location is at end of SKU after U or U9TK.

Two Full Height Doors

- CBC36 L or R

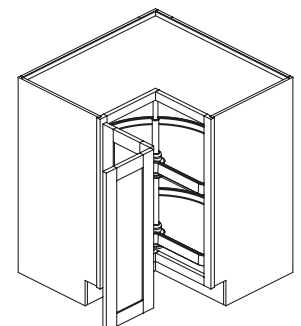
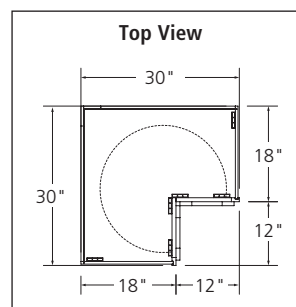


Lazy Susan Corner Base Cabinets, 34½" High

- Includes two pie cut shelves.
- Includes full height doors; doors are attached together with piano hinge.
- Door always comes hinged left from the factory.
- Requires 36" of wall space on each side.
- End panels are not finished.
- Altered depth, matching interior, full depth shelf and gentle-touch hinge modifications not available.
- For 32 ½" high universal cabinet:
 - With 4½" high toe kick add U to end of SKU.
EXAMPLE: LSB36U
 - With 9" high toe kick add U9TK to end of SKU.
EXAMPLE: LSB36U9TK

Two Full Height Doors

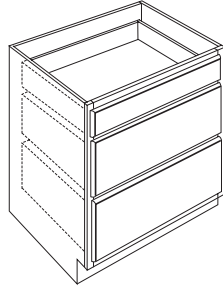
- LSB36



Three Drawer Base Cabinets, 24" Deep, 34½" High

- Includes standard top drawer and two deep bottom drawers.
- 18-21" altered depth modification available.
- Plywood bottom and matching interior modifications not available.
- For 32½" high universal cabinet:
 - With 4½" high toe kick add U to end of SKU. EXAMPLE: DB309U
 - With 9" high toe kick add U9TK to end of SKU. EXAMPLE: DB309U9TK
 - NOTE: when U or U9TK modification is applied drawer height will be reduced equally on bottom two drawers; top drawer height remains the same.

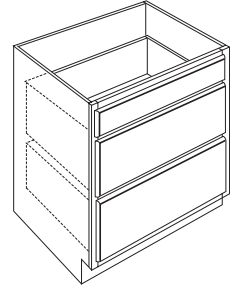
- DB309
- DB312
- DB315
- DB318
- DB321
- DB324
- DB327
- DB330
- DB333
- DB336



Double Drawer Range Base Cabinets, 24" Deep, 34½" High

- Includes false top drawer front and two deep bottom drawers.
- Altered depth, plywood bottom and matching interior modifications not available.
- For 32½" high universal cabinet:
 - With 4½" high toe kick add U to end of SKU. EXAMPLE: RDB330U
 - With 9" high toe kick add U9TK to end of SKU. EXAMPLE: RDB330U9TK
 - NOTE: when U or U9TK modification is applied drawer height will be reduced equally on bottom two drawers; false top drawer front height remains the same.

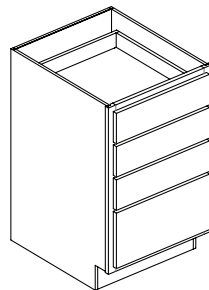
- RDB330
- RDB333
- RDB336



Four Drawer Base Cabinets, 24" Deep, 34½" High

- Includes three standard top drawers and deep bottom drawer.
- 18-21" altered depth modification available.
- Plywood bottom and matching interior modification not available.
- Not available with 4½" high (U) or 9" high toe kick (U9TK).

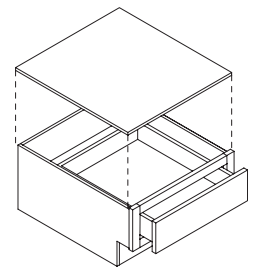
- DB409
- DB412
- DB415
- DB418
- DB421
- DB424
- DB427
- DB430
- DB433
- DB436



Single Drawer Range Riser Base Cabinets, 24" Deep, 11½" High

- Top shelf ships loose.
- Altered depth, plywood bottom, matching interior and cabinet front only modifications not available.
- Not available with 9" high toe kick (U9TK).

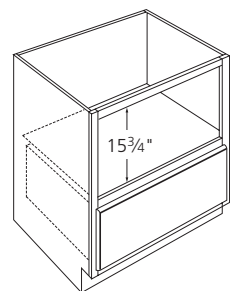
- RRB2112
- RRB2412
- RRB2712
- RRB3012



Single Drawer Microwave Base Cabinets, 24" Deep, 34½" High

- Includes one deep bottom drawer.
- Designed for under counter installation of microwave.
- Includes matching interior.
- 18-21" altered depth modification available.
- Plywood bottom and cabinet front only modifications not available.
- For 32½" high universal cabinet:
 - With 4½" high toe kick add U to end of SKU. EXAMPLE: MWB24U
 - With 9" high toe kick add U9TK to end of SKU. EXAMPLE: MWB24U9TK
 - NOTE: drawer height will be reduced when U or U9TK modification is applied.

- MWB24
- MWB27
- MWB30

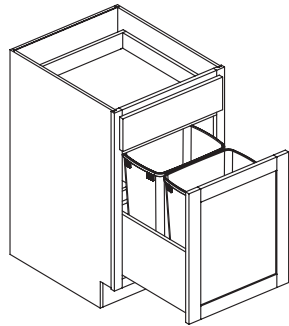
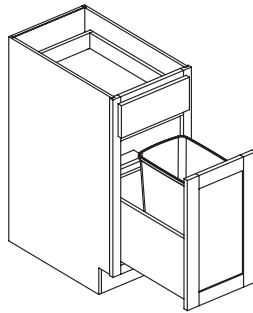


**Trash Can Pull-Out Base Cabinets,
24" Deep, 34½" High**

- Pull-out is mounted to door.
- Altered depth, matching interior and full depth shelf modifications not available.
- Not available with 4½" high (U) or 9" high toe kick (U9TK).

**One Drawer, Single Door
with Plywood Pull-Out**

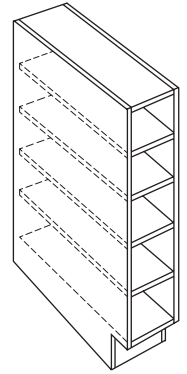
- TCPPB15 1 Trash Can
- 2TCPPB18 2 Trash Cans
- 2TCPPB21 2 Trash Cans



**Base Wine Cube Cabinet,
24" Deep, 34½" High**

■ BWC30

- Holds five wine bottles.
- Includes matching interior and four shelves.
- Altered depth and plywood bottom modifications not available.
- For 32½" high universal cabinet:
 - With 4½" high toe kick add U to end of SKU. EXAMPLE: BWC30U
 - With 9" high toe kick add U9TK to end of SKU. EXAMPLE: BWC30U9TK NOTE: this reduces capacity to four wine bottles.



500



TALL CABINETS

In This Section

- 500.3** 12" and 24" Deep Utility Cabinets
- 500.4** Utility Fronts, Tall Microwave Cabinets
- 500.5** Tall Oven Cabinets
- 500.6** Tall Bookcase Cabinets

Utility Cabinets

- Adjustable shelf quantities listed in () below.
- Doors up to 36" high receive two hinges per door; doors greater than 36" high receive three hinges.
- Top section height:
 - 84" high cabinet aligns with a 30" high wall cabinet
 - 90" high cabinet aligns with a 36" high wall cabinet
 - 96" high cabinet aligns with a 42" high wall cabinet
- Toe base assembly for 96" high cabinets is shipped separately from cabinet and must be installed on site.

12" Deep

- Altered depth and matching interior modifications not available.
- Available with 9" high toe kick. Add 9TK to end of SKU.
EXAMPLES: U1284129TKL* (single door), U248412D9TK (butt doors).
- *Note exception for single door cabinets, hinge location is at end of SKU after 9TK.

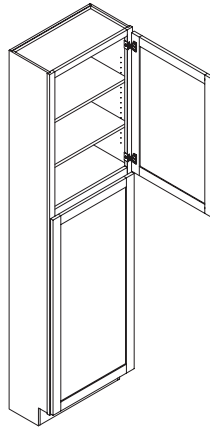
Single Door

84" High (3)

- U128412 L or R
- U158412 L or R
- U188412 L or R
- U218412 L or R

90" High (3)

- U129012 L or R
- U159012 L or R
- U189012 L or R
- U219012 L or R



96" High (4)

- U129612 L or R
- U159612 L or R
- U189612 L or R
- U219612 L or R

24" Deep

- 15-21" altered depth modification available.
- Matching interior modification not available.
- Available with 9" high toe kick. Add 9TK to end of SKU.
EXAMPLES: U1284249TKL* (single door), U248424D9TK (butt doors).
- *Note exception for single door cabinets, hinge location is at end of SKU after 9TK.

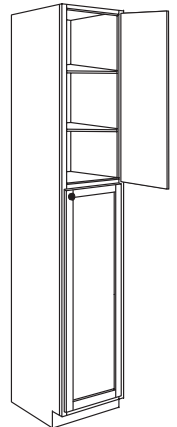
Single Door

84" High (3)

- U128424 L or R
- U158424 L or R
- U188424 L or R
- U218424 L or R

90" High (3)

- U129024 L or R
- U159024 L or R
- U189024 L or R
- U219024 L or R



96" High (4)

- U129624 L or R
- U159624 L or R
- U189624 L or R
- U219624 L or R

Butt Doors

84" High (3)

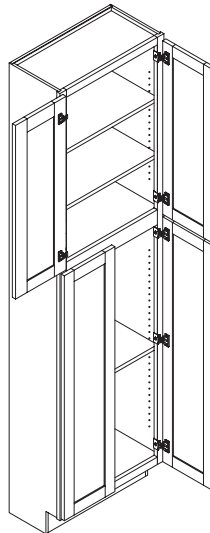
- U248412D
- U308412D

90" High (3)

- U249012D
- U309012D

96" High (4)

- U249612D
- U309612D



Butt Doors

84" High (3)

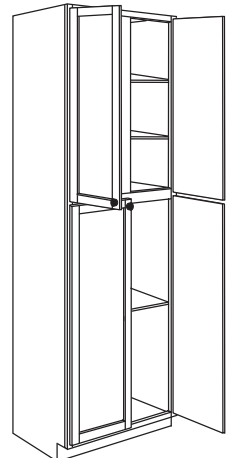
- U248424D
- U308424D

90" High (3)

- U249024D
- U309024D

96" High (4)

- U249624D
- U309624D



Utility Fronts

- Doors up to 36" high receive two hinges per door; doors greater than 36" high receive three hinges.
- Includes 6" high bottom rail.
- Top section height:
 - 84" high cabinet aligns with a 30" high wall cabinet
 - 90" high cabinet aligns with a 36" high wall cabinet
 - 96" high cabinet aligns with a 42" high wall cabinet
- Modifications not available.

Single Door

84" High

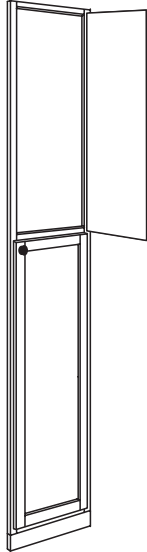
- UF1284 L or R

90" High

- UF1290 L or R

96" High

- UF1296 L or R



Butt Doors

84" High

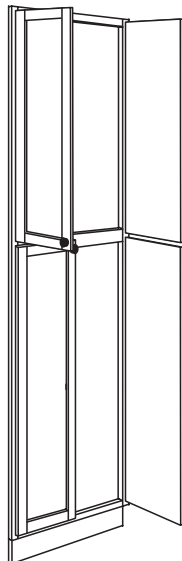
- UF2484D

90" High

- UF2490D

96" High

- UF2496D



Tall Microwave Cabinets, 24" Deep

- Adjustable shelf quantities listed in () below.
- Includes matching interior.
- Doors up to 36" high receive two hinges per door; doors greater than 36" high receive three hinges.
- Top section height:
 - 84" high cabinet aligns with a 30" high wall cabinet
 - 90" high cabinet aligns with a 36" high wall cabinet
 - 96" high cabinet aligns with a 42" high wall cabinet
- Toe base assembly for 96" high cabinets is shipped separately from cabinet and must be installed on site.
- Available with 9" high toe kick; add 9TK to end of SKU.
EXAMPLE: MWTC2784D9TK
- Altered depth and cabinet front only modifications not available.

Butt Doors Above and Below

84" High (2)

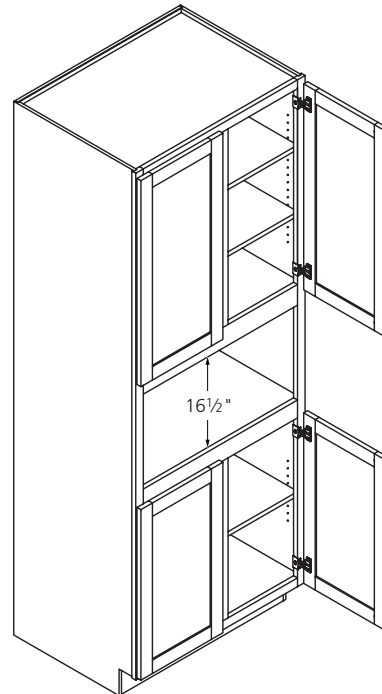
- MWTC2784D
- MWTC3084D
- MWTC3384D

90" High (2)

- MWTC2790D
- MWTC3090D
- MWTC3390D

96" High (3)

- MWTC2796D
- MWTC3096D
- MWTC3396D



Tall Oven Cabinets, 24" Deep

- Adjustable shelf quantities listed in () below.
- Doors up to 36" high receive two hinges per door; doors greater than 36" high receive three hinges.
- Toe base assembly for 96" high cabinets is shipped separately from cabinet and must be installed on site.
- Altered depth, matching interior and cabinet front only modifications not available.

Single Drawer

Butt Doors Above, One Drawer Below

- Includes one standard drawer.
- Top section height:
 - 84" high cabinet aligns with a 18" high wall cabinet
 - 90" high cabinet aligns with a 24" high wall cabinet
 - 96" high cabinet aligns with a 30" high wall cabinet
- Not available with 9" high toe kick (9TK).

84" High (0)

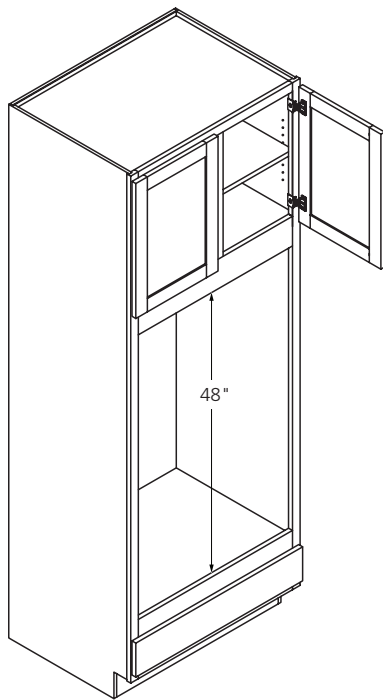
- DOC2784D
- DOC3084D
- DOC3384D

90" High (1)

- DOC2790D
- DOC3090D
- DOC3390D

96" High (2)

- DOC2796D
- DOC3096D
- DOC3396D



Three Drawer

Butt Doors Above, Three Drawers Below

- Includes one standard top drawer and two deep bottom drawers.
- Top section height:
 - 84" high cabinet aligns with a 18" high wall cabinet
 - 90" high cabinet aligns with a 24" high wall cabinet
 - 96" high cabinet aligns with a 30" high wall cabinet
- Available with 9" high toe kick; add 9TK to end of SKU.
EXAMPLE: OC3DB2784D9TK
- NOTE: when 9TK modification is applied drawer height will be reduced equally on bottom two drawers; top drawer height remains the same.

84" High (0)

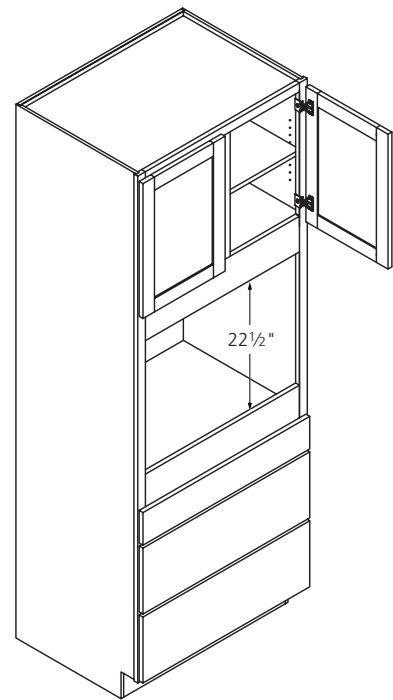
- OC3DB2784D
- OC3DB3084D
- OC3DB3384D

90" High (1)

- OC3DB2790D
- OC3DB3090D
- OC3DB3390D

96" High (2)

- OC3DB2796D
- OC3DB3096D
- OC3DB3396D



Tall Bookcase Cabinets, 12" Deep

- Adjustable shelf quantities listed in () below.
- Includes matching interior.
- Altered depth and cabinet front only modifications not available.
- Toe base assembly for 96" high cabinets is shipped separately from cabinet and must be installed on site.
- Not available with 9" high toe kick (9TK).

84" High (5)

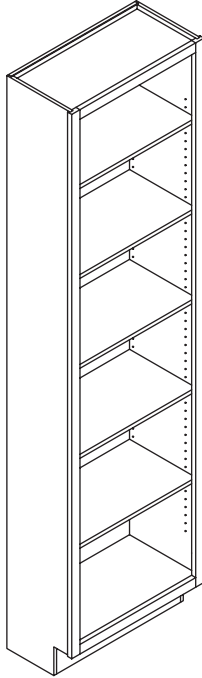
- TBC128412
- TBC158412
- TBC188412
- TBC218412
- TBC248412
- TBC308412

90" High (5)

- TBC129012
- TBC159012
- TBC189012
- TBC219012
- TBC249012
- TBC309012

96" High (6)

- TBC129612
- TBC159612
- TBC189612
- TBC219612
- TBC249612
- TBC309612



600



VANITY CABINETS

In This Section

- 600.3** Vanity Base Cabinets, Vanity Sink Base Cabinets
- 600.4** Full Height Door Vanity Sink Base Cabinets, Vanity Sink Fronts
- 600.5** Three and Four Drawer Vanity Base Cabinets, Vanity Drawer Sink Base Cabinets
- 600.6** Vanity Sink Drawer Base Cabinets, Double Sink Vanity Base Cabinets, Single Sink Vanity Combination Cabinets, Vanity Knee Drawer
- 600.7** Vanity Wall Cabinets

Vanity Base Cabinets, 21" Deep, 32½" High

- Includes two hinges per door.
- Cabinets 39" and wider receive a center mullion.
- Includes one half-depth adjustable shelf.
- 18" altered depth modification available.
- Matching interior modification not available.
- To order 34½" high cabinet with 4½" high toe kick replace U with KH at end of SKU. EXAMPLES: VB12KHL* (single door), VB24DKH (butt doors), VB39KH (double doors)
- To order 32½" high cabinet with 9" high toe kick add 9TK to end of SKU. EXAMPLES: VB12U9TKL* (single door), VB24DU9TK (butt doors), VB399UTK (double doors)

*Note exception for single door cabinets, hinge location is at end of SKU after KH or U9TK.

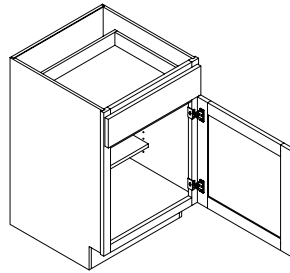
Vanity Sink Base Cabinets, 21" Deep, 32½" High

- Includes two hinges per door.
- Cabinets 39" and wider receive a center mullion.
- Shelving is not included.
- Includes full back in cabinet. Plumbing accommodations must be made at time of installation.
- 12-18" altered depth modification available.
- Matching interior modification not available.
- To order 34½" high cabinet with 4½" high toe kick replace U with KH at end of SKU. EXAMPLES: VSB18KHL* (single door), VSB24DKH (butt doors), VSB39KH (double doors)
- To order 32½" high cabinet with 9" high toe kick add 9TK to end of SKU. EXAMPLES: VSB18U9TKL* (single door), VSB24DU9TK (butt doors), VSB39U9TK (double doors)

*Note exception for single door cabinets, hinge location is at end of SKU after KH or U9TK.

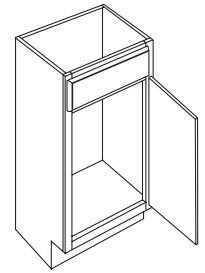
Single Door, One Drawer

- VB09U L or R
- VB12U L or R
- VB15U L or R
- VB18U L or R
- VB21U L or R



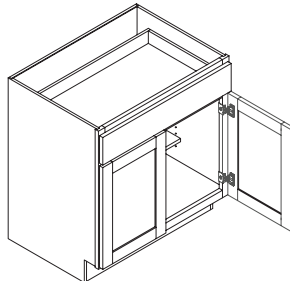
Single Door, One False Drawer Front

- VSB18U L or R
- VSB21U L or R



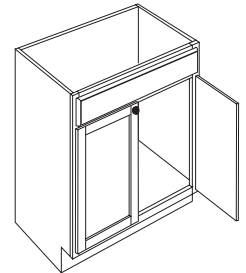
Butt Doors, One Drawer

- VB24DU
- VB27DU
- VB30DU
- VB33DU
- VB36DU



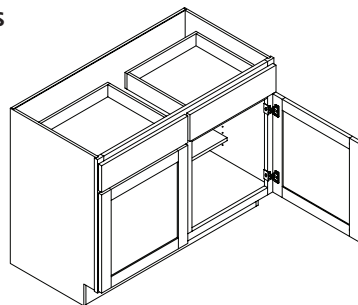
Butt Doors, One False Drawer Front

- VSB24DU
- VSB27DU
- VSB30DU
- VSB33DU
- VSB36DU



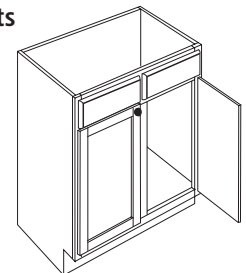
Double Doors, Two Drawers

- VB39U
- VB42U
- VB45U
- VB48U



Double Doors, Two False Drawer Fronts

- VSB39U
- VSB42U
- VSB45U
- VSB48U



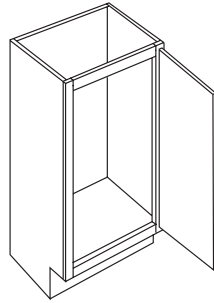
Full Height Door(s) Vanity Sink Base Cabinets, 21" Deep, 32½" High

- Includes two hinges per door.
- Cabinets 39" and wider receive a center mullion.
- Shelving is not included.
- 12-18" altered depth modification available.
- Matching interior modification not available.
- Includes full back in cabinet. Plumbing accommodations must be made at time of installation.
- To order 34½" high cabinet with 4½" high toe kick replace U with KH at end of SKU. EXAMPLES: FHVSB18KHL* (single door), FHVSB24DKH (butt doors), FHVSB39KH (double doors)
- To order 32½" high cabinet with 9" high toe kick add 9TK to end of SKU. EXAMPLES: FHVSB18U9TKL* (single door), FHVSB24DU9TK (butt doors), FHVSB39U9TK (double doors)

*Note exception for single door cabinets, hinge location is at end of SKU after KH or 9TK.

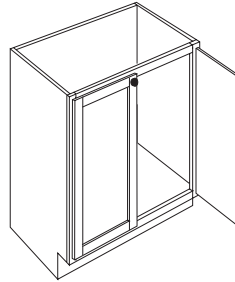
Single Full Height Door

- FHVSB18U L or R
- FHVSB21U L or R



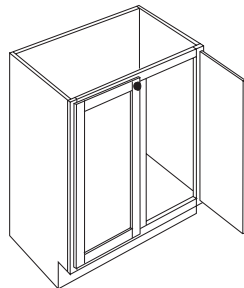
Full Height Butt Doors

- FHVSB24DU
- FHVSB27DU
- FHVSB30DU
- FHVSB33DU
- FHVSB36DU



Full Height Double Doors

- FHVSB39U
- FHVSB42U
- FHVSB45U
- FHVSB48U

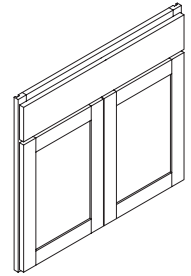


Vanity Sink Fronts, 32½" High

- Includes two hinges per door.
- Does not include toe kick.
- Modifications not available.
- To order 34½" high cabinet front with 4½" high toe kick replace U with KH at end of SKU. EXAMPLE: VSF30DKH.
 - NOTE: Front height will be adjusted to align with 34½" high KH cabinet; toe kick is excluded.
- To order 32½" high cabinet front with 9" high toe kick add 9TK to end of SKU. EXAMPLE: VSF30DU9TK.
 - NOTE: Front height will be adjusted to align with 32½" high 9TK cabinet; toe kick is excluded.

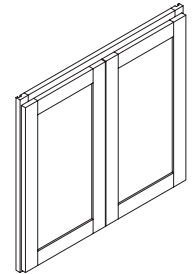
Butt Doors, One False Drawer Front

- VSF30DU
- VSF36DU



Full Height Butt Doors

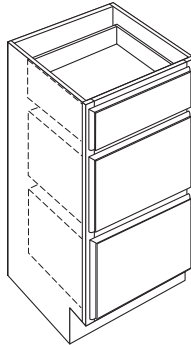
- FHVSF30DU
- FHVSF36DU



**Three Drawer Vanity Base Cabinets,
21" Deep, 32½" High**

- Includes standard top drawer and two deep bottom drawers.
- 18" altered depth modification available.
- Plywood bottom and matching interior modifications not available.
- To order 34½" high cabinet with 4½" high toe kick replace U with KH at end of SKU. EXAMPLE: VDB309KH.
- To order 32½" high cabinet with 9" high toe kick add 9TK to end of SKU. EXAMPLE: VDB309U9TK.
- NOTE: when KH or 9TK modification is applied drawer height will be modified equally on bottom two drawers; top drawer height remains the same.

- VDB309U
- VDB312U
- VDB315U
- VDB318U
- VDB321U
- VDB324U



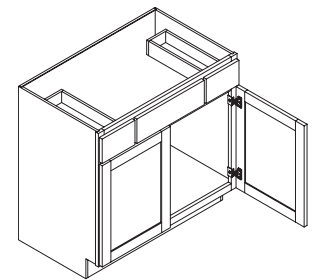
**Vanity Drawer Sink Base Cabinets,
21" Deep, 32½" High**

- Includes two hinges per door.
- Cabinets 39" and wider receive a center mullion.
- Includes false drawer front in top center position. Working drawers are on either side of sink.
- Shelving is not included.
- Includes full back in cabinet. Plumbing accommodations must be made at time of installation.
- 18" altered depth modification available.
- Matching interior modification not available.
- To order 34½" high cabinet with 4½" high toe kick replace U with KH at end of SKU. EXAMPLE: VSDC36DKH.
- To order 32½" high cabinet with 9" high toe kick add 9TK to end of SKU. EXAMPLE: VSDC36DU9TK.

Drawer Width (Equivalent Cabinet Width)	
CABINET WIDTH	DRAWER WIDTH
36", 39"	9"
42", 45"	12"

**Butt Doors, Two Drawers,
One False Drawer Front**

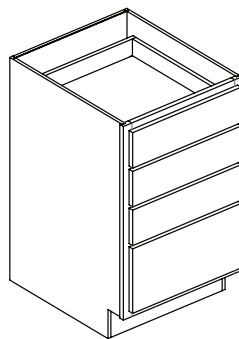
- VSDC36DU



**Four Drawer Vanity Base Cabinets,
21" Deep, 34½" High**

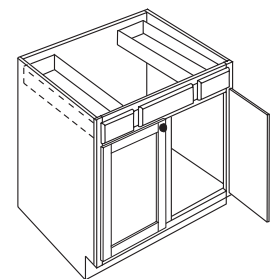
- Includes three standard top drawers and deep bottom drawer.
- 18" altered depth modification available.
- Plywood bottom and matching interior modifications not available.
- **Not available in standard 32½" high vanity cabinet height.**

- VDB409KH
- VDB412KH
- VDB415KH
- VDB418KH
- VDB421KH
- VDB424KH

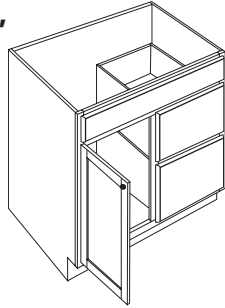


**Double Doors, Two Drawers,
One False Drawer Front**

- VSDC39U
- VSDC42U
- VSDC45U



Vanity Sink Drawer Base Cabinets, 21" Deep, 32½" High



- Available with left or right drawer stack. Choose appropriate code ending with **L** or **R**.
 - Includes two hinges; door is hinged opposite of drawer stack.
 - Includes false drawer front in top position and two functional deep drawers.
 - Shelving is not included.
 - Includes full back in cabinet. Plumbing accommodations must be made at time of installation.
 - 18" altered depth modification available.
 - Matching interior modification not available.
 - To order 34½" high cabinet with 4½" high toe kick replace U with KH at end of SKU. EXAMPLE: VSDB30KHL*
 - To order 32½" high cabinet with 9" high toe kick add 9TK to end of SKU. EXAMPLE: VSDB30U9TKL*
- *Note for single door cabinets, hinge location is at end of SKU after KH or 9TK.

Single Door, One False Drawer Front, Two Drawers

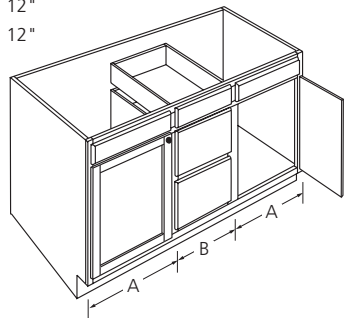
	Equivalent Cabinet Width	
	A	B
■ VSDB30U L or R	15"	30"
■ VSDB36U L or R	18"	30"
■ VSDB42U L or R	21"	30"

Double Sink Vanity Combination Cabinets, 21" Deep, 32½" High

- Includes two hinges per door.
- Single door with false drawer front, left and right; one stack of three drawers, centered.
- Drawer bank includes standard top drawer and two deep bottom drawers.
- Shelving is not included.
- Includes full back in cabinet. Plumbing accommodations must be made at time of installation.
- 18" altered depth modification available.
- Matching interior modification not available.
- To order 34½" high cabinet with 4½" high toe kick replace U with KH at end of SKU. EXAMPLE: VSDB60SDSKH.
- To order 32½" high cabinet with 9" high toe kick add 9TK to end of SKU. EXAMPLE: VSDB60SDSU9TK.

Single Door Left and Right, Center Drawer Stack with Three Drawers, Two False Drawer Fronts

	Equivalent Cabinet Width	
	A	B
■ VSDB54SDSU	21"	12"
■ VSDB60SDSU	24"	12"



Single Sink Vanity Combination Cabinets, 21" Deep, 32½" High

- Includes two hinges per door.
- Butt doors with false drawer front, centered; two stacks of three drawers, left and right.
- Each drawer bank includes standard top drawer and two deep bottom drawers.
- Shelving is not included.
- Includes full back in cabinet. Plumbing accommodations must be made at time of installation.
- 18" altered depth modification available.
- Matching interior modification not available.
- To order 34½" high cabinet with 4½" high toe kick replace U with KH at end of SKU. EXAMPLE: VSDB60DDSDKH.
- To order 32½" high cabinet with 9" high toe kick add 9TK to end of SKU. EXAMPLE: VSDB60DDSDU9TK.

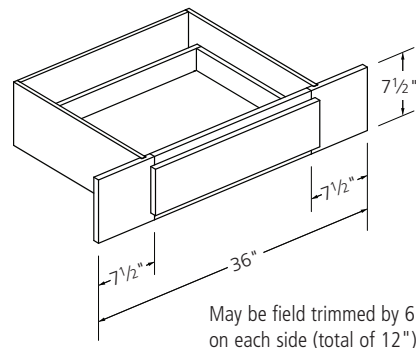
Butt Doors, One False Drawer Front, Two Drawer Stacks with Three Drawers Each

	Equivalent Cabinet Width	
	A	B
■ VSDB60DDSDU	15"	30"

Vanity Knee Drawer, 21" Deep

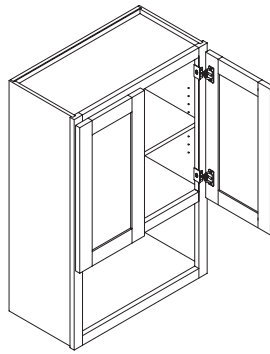
- Standard shallow drawer.
- Does not have floor below drawer.
- Includes 6" wide stiles on each side (overall stile width of 7½"). VDU may be field trimmed; minimum width is 24".
- 18" altered depth modification available.
- Plywood bottom, matching interior and cabinet front only modifications not available.

■ VDU3624



Vanity Topper Wall Cabinets, 12" Deep

- Includes two hinges per door.
- VT2436D includes one adjustable shelf; VT2430D does not include shelving.
- Open area is 10½" high.
- Includes matching interior.
- 9" altered depth modification available.
- Cabinet front only modification not available.

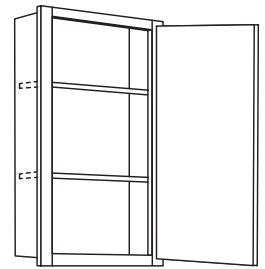


Butt Doors

- VT2430D
- VT2436D

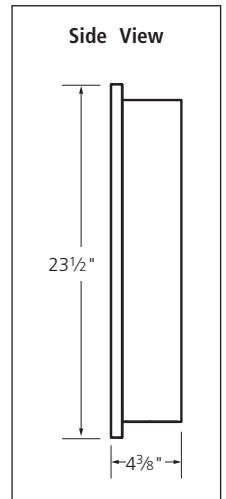
Vanity Medicine Wall Cabinets, 4¾" Deep

- Includes two hinges.
- Includes two fixed shelves.
- Cabinet is designed to be recessed in wall.
- Altered depth modification not available.



Single Door

- MC24 L or R



700



ACCESSORIES & PARTS

In This Section

FILLERS, PANELS AND SKINS

- 700.3** Fillers, End Panels
- 700.4** Skins, Paneling, Sink Floors, Toe Kick Skins

MOLDINGS & VALANCES

- 700.5** Trim Molding, Crown Molding
- 700.6** Light Rail, Undermount Accent Molding, Base Molding and Valances

DECORATIVE ACCESSORIES & KITS

- 700.6** Floating Shelves, Stem Glass Holder, Bar Bracket, Straight Post Leg
- 700.7** Shelving Kits, Roll-Out Tray Kits, Heat Shield

PARTS & TOUCH-UP ITEMS

- 700.8** Hinges, Guides, Shelf Clips, Bumper Pads, Miscellaneous Hardware, Touch-Up Items

Fillers, 3" and 6" Wide

- Finished on one side; edges and backside not finished.
- NOTE: edges of filler are not intended for exposed applications.
- Modifications not available.

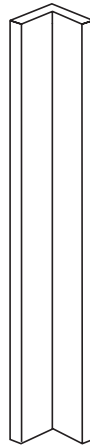
3" Wide	6" Wide	Height
Wall		
■ AWF342	■ AWF642	42"
Base		
■ ABF3	■ ABF6	30"
Tall		
■ AWF396	■ AWF696	96"



Base Corner Filler, 3" x 3"

- Finished on one side; edges and backside are unfinished.

■ ABCF3X3	30" High
-----------	----------



End Panel with Filler

- Both sides and front filler are finished.

Refrigerator

- 15-21" altered depth modification available on 24" deep end panels; modifications not available on 12" deep and 30" deep end panels.

12" Deep	24" Deep	30" Deep	Width	Height
■ AREP1.58412	■ AREP1.58424	■ AREP1.58430	1½"	84"
■ AREP1.59612	■ AREP1.59624	■ AREP1.59630	1½"	96"
■ AREP38412	■ AREP38424	■ AREP38430	3"	84"
■ AREP39612	■ AREP39624	■ AREP39630	3"	96"

Wall

- 9-24" altered depth modification available.

12" Deep	Width	Height
■ AWE1.530	1½"	30"
■ AWE1.536	1½"	36"
■ AWE1.542	1½"	42"
■ AWE330	3"	30"
■ AWE336	3"	36"
■ AWE342	3"	42"

Base

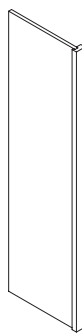
- 12-21" altered depth modification available.

24" Deep	Width	Height
■ ABEP1.5	1½"	34½"
■ ABEP3	3"	34½"
■ ABEP6	6"	34½"

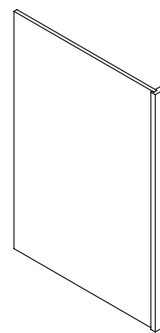
Vanity Base

- 12-18" altered depth modification available.

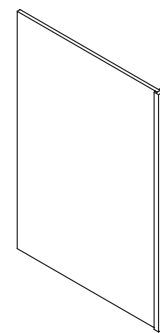
21" Deep	Width	Height
■ AVUEP1.5	1½"	32½"
■ AVUEP3	3"	32½"
■ AVUEP6	6"	32½"



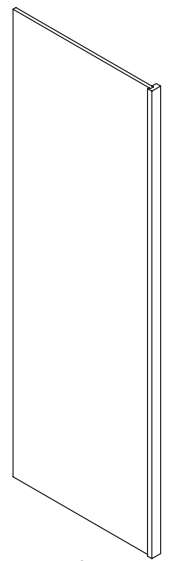
Wall



Base



Vanity Base

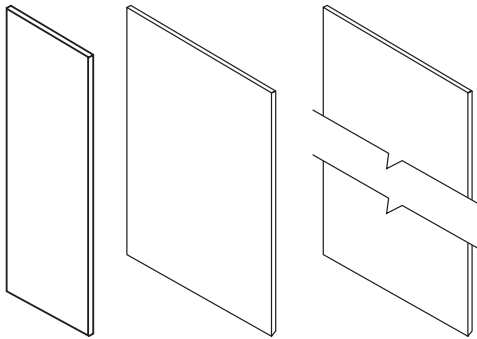


Tall/Refrigerator

End Skins

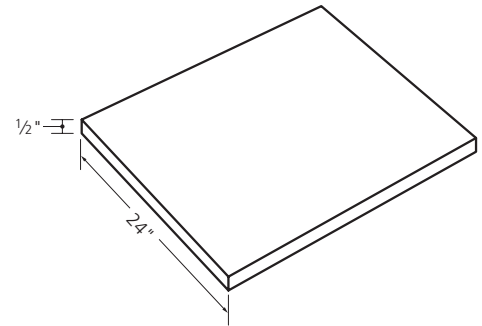
- Finished on one side.
- Modifications not available.

1/8" Thick Laminated MDF	1/4" Thick Finished Plywood	Width	Height
Wall			
■ AWSL30	■ AWSP30	12"	30"
■ AWSL42	■ AWSP42	12"	42"
Base			
■ ABSL	■ ABSP	24"	34 1/2"
Vanity			
■ AVUSL	■ AVUSP	21"	32 1/2"
Tall			
■ AUSL84	■ AUSP84	24"	84"
■ AUSL96	■ AUSP96	24"	96"



Sink Front Floors, 24" Deep

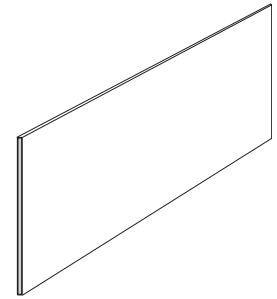
- Finished on top side; backside and edges not finished.
- Modifications not available.



- ASFF24
- ASFF30
- ASFF48
- ASFF66

Toe Kick Skins

- Install over unfinished toe space assembly on base, vanity base and tall cabinets.
- 8' lengths.
- Finished on one side; edges and backside not finished.
- Modifications not available.



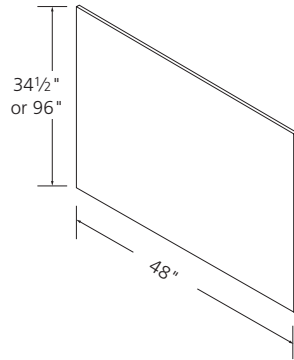
1/8" Thick Laminated MDF	Height
■ ATK0	4 1/4"
■ ATK09	8 3/4"

1/4" Thick Finished Plywood	Height
■ ATPK	4 1/4"
■ ATPK9	8 3/4"

Finished Paneling

- Finished on one side.
- Modifications not available.

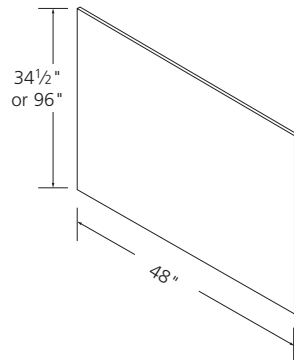
1/8" Thick Hardboard	1/4" Thick Plywood
■ AFBM4834	■ AFPP4834
■ AFBM4896	■ AFPP4896
1/2" Thick Particle Board	5/8" Thick Particle Board
■ APPB4834	■ APPB5/84834
■ APPB4896	■ APPB5/84896



Interior Paneling

- Finished on one side.
- Hardboard paneling features maple grained laminate (ASPL); plywood paneling features crystal veneer (ASPP).
- Modifications not available.

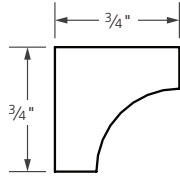
1/8" Thick Hardboard	1/4" Thick Plywood
■ ASPL4834	■ ASPP4834
■ ASPL4896	■ ASPP4896



Inside Corner Molding

- 8' lengths.
- Finished wood or paint grade molding.
- Modifications not available.

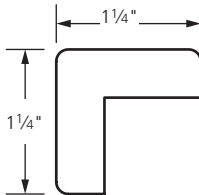
■ AICM8



Outside Corner Molding

- 8' lengths.
- Molding will be paper wrapped to match end panels.
- Modifications not available.

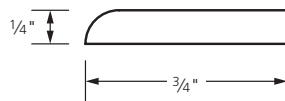
■ AOCM8



Scribe Molding

- 8' lengths.
- Molding will be paper wrapped to match end panels.
- Modifications not available.

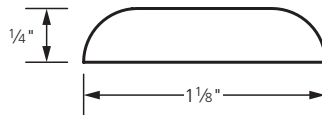
■ ASM8



Batten Molding

- 8' lengths.
- Finished wood or paint grade molding.
- Modifications not available.

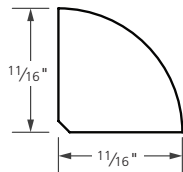
■ ABM8



Quarter Round Molding

- 8' lengths.
- Finished wood or paint grade molding.
- Modifications not available.

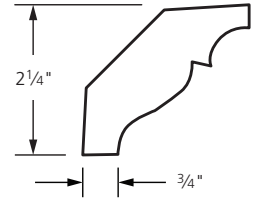
■ ASHM8



Crown Molding

- 8' lengths.
- Molding will be paper wrapped to match end panels.
- Modifications not available.

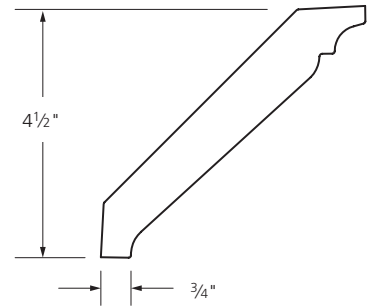
■ ACM8



Large Crown Molding

- 8' lengths.
- Finished wood or paint grade molding.
- Modifications not available.

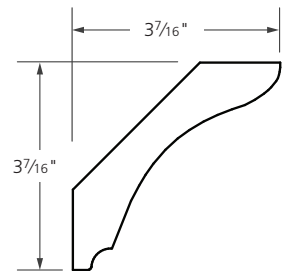
■ ACML8



Large Cove Crown Molding

- 8' lengths.
- Finished wood or paint grade molding.
- Modifications not available.

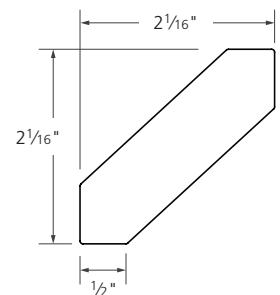
■ ALCOVEM8



Shaker Crown Molding

- 8' lengths.
- Finished wood or paint grade molding.
- Modifications not available.

■ ASHCM8



Light Rail Molding

- 8' lengths.
- 3/4" thick material.
- Finished on face and both long edges.
- Modifications not available.

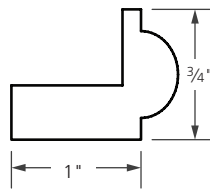
- ALRM196 1" High
- ALRM1.596 1 1/2" High



Undermount Accent Molding

- 8' lengths.
- Modifications not available.

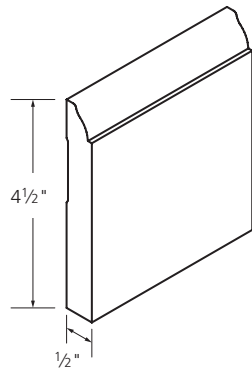
- AUM8



Base Molding

- 8' lengths.
- Modifications not available.

- ABBM8



Straight Valances, 4" High

- Modifications not available.

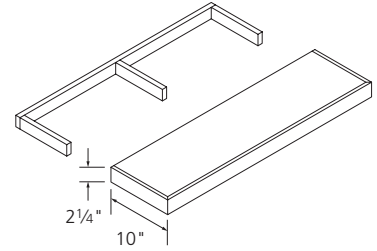
- ASTV36
- ASTV48
- ASTV72
- ASTV96



Floating Shelves, 10" Deep

- Includes mounting bracket.
- Modifications not available.

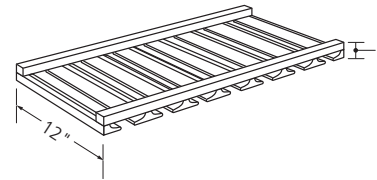
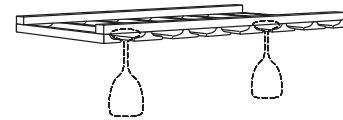
- AFS24
- AFS30
- AFS36
- AFS42



Stem Glass Holder

- Modifications not available.

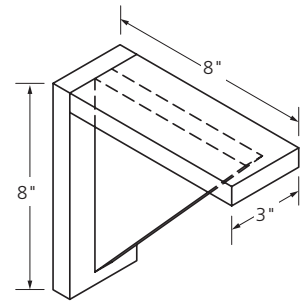
- ASWR36



Bar Bracket

- Modifications not available.

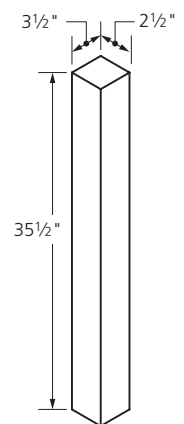
- ABB8



Straight Post Leg

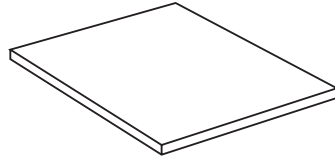
- Modifications not available.

- ABSTL35



Shelving Kits

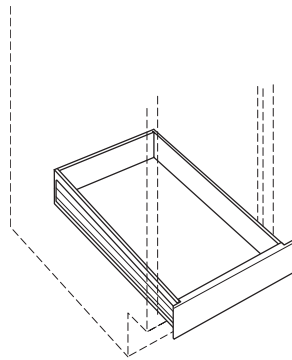
- Includes four shelves per kit.
- Last two digits in SKU indicate coordinating cabinet width.
- Shelving is natural maple laminate; matching interior modification available.
- 15"-21" altered depth modification available on 24" deep shelf kits; 6"-9" altered depth on 12" deep shelf kits.



24" Deep	12" Deep
■ ABSK18	■ AWSK18
■ ABSK21	■ AWSK24
■ ABSK24	■ AWSK48
■ ABSK30	
■ ABSK36	
■ ABSK42	

Roll-Out Tray Kits

- Includes four dovetail roll-out trays and standard guides per kit.
- 18"-21" altered depth modification available.
- Soft-close drawer guide upgrade not available.

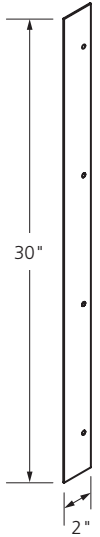


- AROT12
- AROT15
- AROT18
- AROT21
- AROT24
- AROT27
- AROT30
- AROT33
- AROT36

Heat Shield

- For use with thermofoil laminate door styles.
- Protects cabinetry from adjacent heat source such as built-in ovens, under cabinet ovens, drop-in or free-standing ranges, etc.
- Modifications not available.

■ AHSK



Parts

- All parts are quantity one unless otherwise noted.

SKU	DESCRIPTION
■ AFULLOLSTDHNG	Full Overlay Standard Hinge
■ AFULOLSFTCLSHNG	Full Overlay Soft-Close Hinge
■ A1/2OL6WYHNG	½ Overlay 6-Way Adjustable Hinge
■ A1/2OLSFTCLSHNG	½ Overlay Soft-Close Hinge
■ ABSTDGUIDE	24" Deep Base Cabinet Standard Guide Set
■ ABUDMNTSFTCLSGD	24" Deep Base Cabinet Undermount Soft-Close Guide Set
■ AVSTDGUIDE	21" Deep Vanity Cabinet Standard Guide Set
■ AVUDMNTSFTCLSGD	21" Deep Vanity Cabinet Undermount Soft-Close Guide Set
■ ASHFCLIP3/4	¾" Shelf Clip
■ ABUMPERPADS	Bumper Pads (strip of approximately 5,000)
■ 2GROMMET	2" Grommet
■ ALSHW36	Lazy Susan Corner Base Cabinet Hardware (contains two shelves, one telescoping center pole and one pack of mounting hardware)

Touch-Up Items

- Filler putty (AFILLERPUTTY_) is quantity one.
- Spray can (ASPRAYCAN_) is quantity one. NOTE: Ships by truck only.
- Touch-up kit (ATUKIT_) includes two pens and two wax sticks.

STAIN	FILLER PUTTY	SPRAY CAN	TOUCH-UP KIT
Coffee	AFILLERPUTTYCE	ASPRAYCANCE	ATUKITCE
Espresso	AFILLERPUTTYEP	ASPRAYCANEP	ATUKITEP
Graphite	AFILLERPUTTYGP	ASPRAYCANGP	ATUKITGP
Nebbia	AFILLERPUTTYNB	ASPRAYCANNB	ATUKITNB
Nuvoloso	AFILLERPUTTYNU	ASPRAYCANNU	ATUKITNU
Pecan	AFILLERPUTTYPE	ASPRAYCANPE	ATUKITPE
Slate	AFILLERPUTTYSS	ASPRAYCANSS	ATUKITSS

PAINT	FILLER PUTTY	SPRAY CAN	TOUCH-UP KIT
Alpine White	AFILLERPUTTYAL	ASPRAYCANAL	ATUKITAL
Dove Grey	AFILLERPUTTYDG	ASPRAYCANDG	ATUKITDG
Grigio Grey	AFILLERPUTTYGG	ASPRAYCANGG	ATUKITGG

THERMOFOIL LAMINATE	FILLER PUTTY	SPRAY CAN	TOUCH-UP KIT
Bianco White	AFILLERPUTTYBH	ASPRAYCANBH	ATUKITBH
Grey Cloud	AFILLERPUTTYCG	ASPRAYCANCG	ATUKITCG

800



MODIFICATIONS

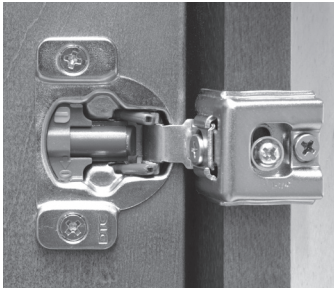
In This Section

- 800.3** Hinge Upgrade, Drawer Guide Upgrade, Cabinet Front Only, Door Only
- 800.4** Altered Depth, Matching Interior, Matching Plywood End Panels, Plywood Bottom, Full-Depth Shelf Modification
- 800.5** Universal Access Options, Kitchen Height Vanity Base Options

Gentle-Touch (Soft-Close) Hinge Upgrade

- Heavy-duty, high-quality steel, concealed 6-way hinge.

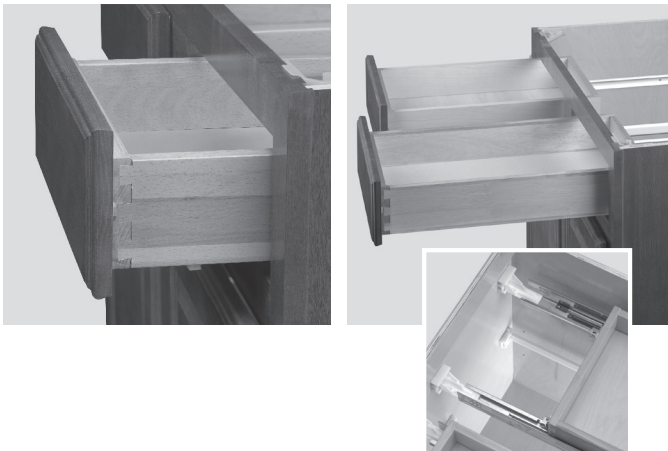
■ G



Soft-Close Drawer Guide Upgrade

- Full extension undermount guide constructed of high quality steel opens drawer to provide easy access and reach all contents.
- Full access undermount drawer guide features:
 - Self-adjust in rear mounting brackets
 - Built-in stop, self-closing and stay-closed feature
 - 75 lb rated load capacity
- Soft-close helps reduce drawer slamming and bounce back.
- Available in 24", 21" and 18" deep cabinets.
- Vertical drawer adjustment on drawer guide bottom behind drawer front.

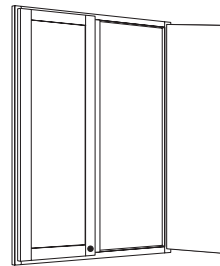
■ SC



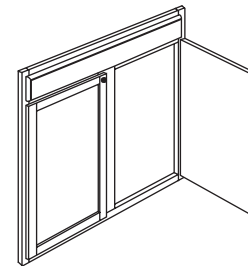
Cabinet Front Only

- Front frame, doors, and drawer fronts only.
- We recommend using this option on cabinetry without installed accessories since all interior components would be eliminated except for face frame, doors and drawer fronts.
- For base cabinets, the toe space area is excluded and the height of face frame is 4½" less than original cabinet height.

- WALLFRONT.ONLY
- BASEFRONT.ONLY



WALLFRONT.ONLY

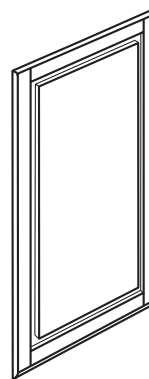


BASEFRONT.ONLY

Doors as Panels / Door Only

- May be used to order doors for use as decorative panels on cabinet end panels or loose doors for other purposes.
- For decorative panel, field install door onto sides of exposed cabinet end panels.
- Specify DOOR.ONLY on cabinet desired, location of door on cabinet with multiple doors (example: upper or lower door of a tall utility cabinet) and hinge location if hinging is required.
- All doors can be ordered with no hinge bore.

■ DOOR.ONLY

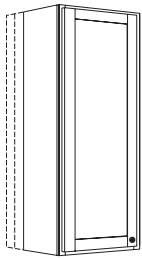


Altered Depth

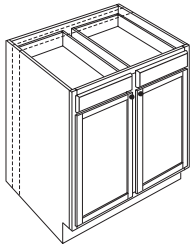
- Altered depth available in 3" increments.
- Specify overall finished depth.
- See following for general altered depth specifications; see individual cabinet specifications for depth availability by SKU.

General Altered Depth Specifications:

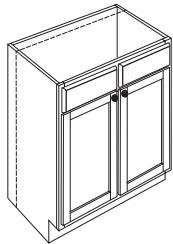
- Wall Cabinets up to 39" wide and/or 30" high: 9", 15", 18", 21" or 24"
- Wall Cabinets larger than 39" wide and/or 30" high: 9", 15" or 18"
- Base Cabinets with drawers: 18" or 21"
- Base Cabinets without drawers: 12", 15", 18" or 21"
- Plumbing Skirt Sink Base Cabinets: 21"
- 24" Deep Tall Utility Cabinets: 15", 18" or 21"
- Vanity Cabinets with drawers: 18"
- Vanity Cabinets without drawers: 12", 15" or 18"
- Accessories: see Section 700 for details.



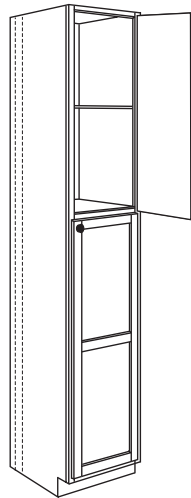
Wall Cabinets



Base Cabinets



Vanity Cabinets



Tall Cabinets

Matching Interior

- Individual cabinets only.
- Finished interior option is available in standard and Allwood construction.
- Finished interior option comes standard on all open cabinets; finished interior option does not come standard on "box-only" orders.
- Backside of face frame is unfinished.
- End panel exterior will match standard end panel material and finish offering for construction series selected, see Section 100 for details.



2020 ORDER EXAMPLE

W3030 choose "attributes" and then select "add-ons" then "matching interior" (MB for standard construction, MY for Allwood construction) option.

Matching Plywood End Panels

- This construction option affects cabinet end panels only.
- Available for full or partial kitchen orders.
- 1/2" plywood end panels are available for most cabinets.
- End panel exteriors will be finished veneer for stain finishes and complementary matching laminate for paint and thermofoil finishes.
- Shelves, ceilings, and floors remain as composite wood with maple grained laminate on exposed faces when ordered in standard framed construction.

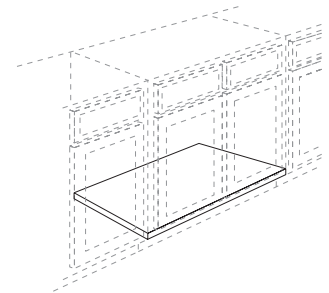


2020 ORDER EXAMPLE

W3030 choose "attributes" and then select "add-ons" then "matching veneer plywood end panel upgrade."

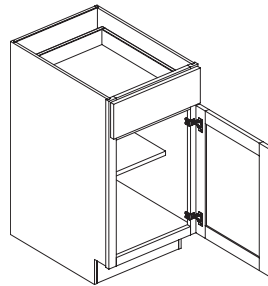
Plywood Bottom

- This construction option affects cabinet bottoms only.
- Available on most base and vanity cabinets.
- Shelves and end panels remain as composite wood with natural laminate on exposed faces when ordered in standard particle board construction.

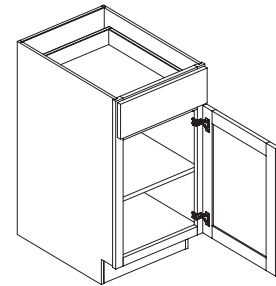


Full-Depth Shelf Modification

- This modification is applicable to base cabinets which contain a half-depth shelf as a standard inclusion.
- One full-depth shelf is included and end panels are drilled to accept deeper shelf.



Standard base cabinet with half depth shelf



Base cabinet with full depth shelf

Universal Access Options

- Applicable to select base, vanity base and tall cabinets, see Sections 400-600 for availability.
- Base cabinet is modified to 32½" high; available with a 4½" or 9" high toe kick.
- Vanity base cabinet remains 32½" high; toe kick is modified to 9" high.
- Tall cabinet remains the same height; toe kick is modified to 9" high.

Base Cabinet Options

- For 32½" high universal cabinet:
 - With 4½" high toe kick add U to end of SKU.
EXAMPLES: FHB12UL* (single door), FHB24DU (butt doors), FHB39U (double doors).
 - With 9" high toe kick add U9TK to end of SKU.
EXAMPLES: FHB12U9TKL* (single door), FHB24DU9TK (butt doors), FHB39U9TK (double doors).
- Note exception for single door cabinets, hinge location is at end of SKU after U or U9TK.

- U
- U9TK

Vanity Base Cabinet Options

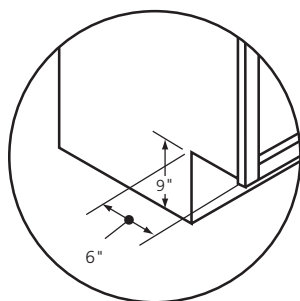
- To order 32½" high cabinet with 9" high toe kick add 9TK to end of SKU. EXAMPLES: FHVSB18U9TKL* (single door), FHVSB24DU9TK (butt doors), FHVSB39U9TK (double doors).
- *Note exception for single door cabinets, hinge location is at end of SKU after 9TK.

- 9TK

Tall Cabinet Options

- To order a tall cabinet with 9" high toe kick add 9TK to end of SKU. EXAMPLES: U1284249TKL* (single door), U2484249TK (butt doors).
- Cabinet height remains 84", 90" or 96".
- *Note exception for single door cabinets, hinge location is at end of SKU after 9TK.

- 9TK

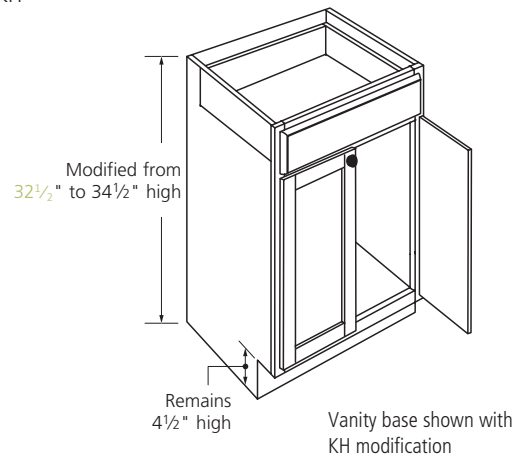


9" High Toe Kick Options

Kitchen Height Vanity Base Options

- Applicable to select vanity base cabinets, see Section 600 for availability.
- Vanity base cabinet modified to 34½" high.
- To order 34½" high cabinet with 4½" high toe kick replace U with KH at end of SKU. EXAMPLES: FHVSB18KHL* (single door), FHVSB24DKH (butt doors), FHVSB39KH (double doors).
- *Note exception for single door cabinets, hinge location is at end of SKU after KH.
- Not available in conjunction with 9TK modifications.

- KH



ARBOR | CREEK®

C A B I N E T R Y



ARBORCREEKCABINETS.COM

BUILT IN
USA
OF GLOBAL & DOMESTIC PARTS

A Cabinetworks Group brand

©2023 Arbor Creek Cabinetry

Arbor Creek Cabinetry products are compliant with
ANSI A161.1 - 2022 Performance and Construction
Standard for Kitchen and Vanity Cabinets.

